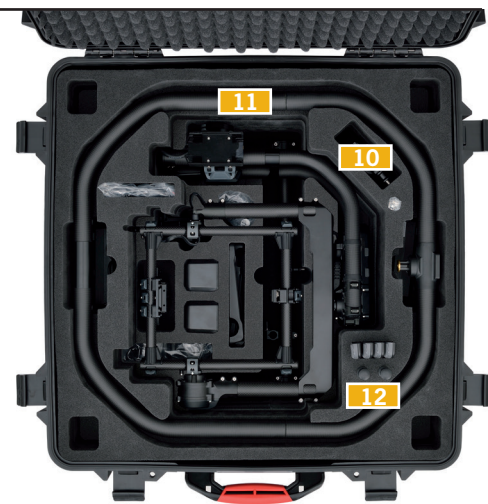
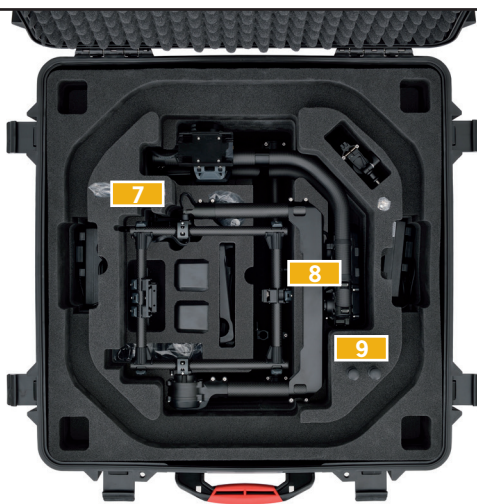
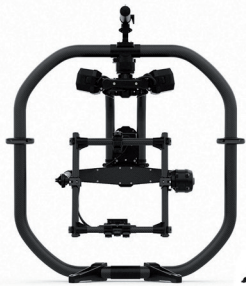


HPRC FFS-4600W-01



- 1** Mimic
- 2** Battery
- 3** Mimic Antenna
- 4** Rolls
- 5** Plastic Feet
- 6** Battery Charger

- 7** Cables
- 8** Main Gimbal
- 9** Plastic main frame rings

- 10** Main frame Handle
- 11** Main frame
- 12** Tools



TECHNICAL FEATURES

Dimension:

Internal dimension
611x611x345(mm) - 24.05x24.05x13.58(in)
External dimension
670x677x388.5(mm) - 26.38x26.65x15.3(in)

Weight:

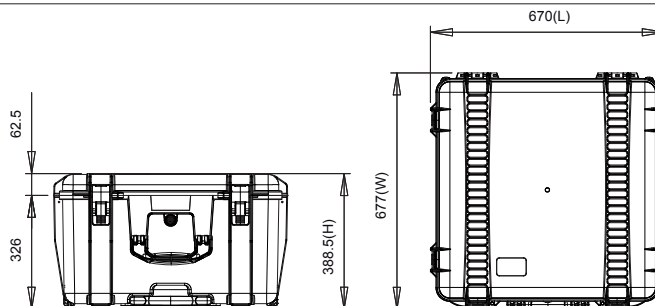
with foam: 14.30kg - 31.52lbs

Temperature rating:

Minimum Maximum
-40°C -40°F +80°C +176°F



TECHNICAL DRAWING



Plaber s.r.l. - HPRC cases

Via Div Tridentina, 10
I-36061 Bassano del Grappa
Vicenza - Italy

Tel +39 0424 809150
Fax +39 0424 808548

USA office and warehouse:

HPRC USA
240 Anderson Avenue
07074 Moonachie - New Jersey

Tel +1 201 617 2010
Fax +1 201 617 2001

www.hprc.it | www.hprcusa.com
info@hprc.it



APPROVALS
ATA 300
IP67
STANAG 4280
DS 81-41

TEST
DROP
IMPACT
HANDLE
WATERTIGHT INTEGRITY
UV COLOR AND MATERIAL
PROTECTION



HPRC