

# HPRC GGG-2460-01



- 1 Headband
- 2 Dji Goggles Body
- 3 Cables / Miscellaneous Accessories
- 4 Eu Charger
- 5 Uk Charger

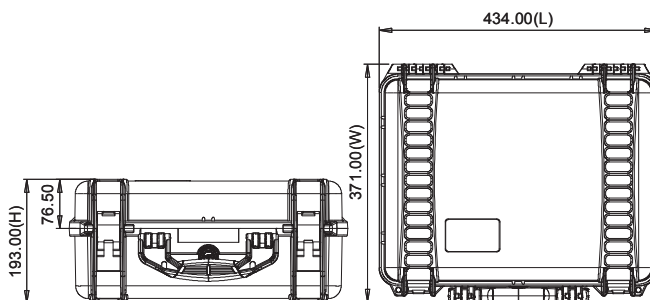


## TECHNICAL FEATURES

**Dimension:**  
 internal dimension 409x306x175(mm) - 16.10x12.05x6.89(in)  
 external dimension 434x371x193(mm) - 17.09x14.61x7.60(in)

**Weight:**  
 empty: 2,60kg - 5.73lbs  
 with foam: 3,14kg - 6.92lbs

**Temperature rating:**  
 Minimum -40°C -40°F      Maximum +80°C +176°F



Plaber s.r.l. - HPRC cases

Via Div Trentina, 10  
 I-36061 Bassano del Grappa  
 Vicenza - Italy

Tel +39 0424 809150  
 Fax +39 0424 808548

USA office and warehouse:

HPRC USA  
 240 Anderson Avenue  
 07074 Moonachie - New Jersey

Tel +1 201 617 2010  
 Fax +1 201 617 2001

[www.hprc.it](http://www.hprc.it)  
 E: [info@hprc.it](mailto:info@hprc.it)



**APPROVALS**  
 ATA 300  
 IP67  
 STANAG 4280  
 DS 81-41

**TEST**  
 DROP  
 IMPACT  
 HANDLE  
 WATERTIGHT INTEGRITY  
 UV COLOR AND MATERIAL  
 PROTECTION

