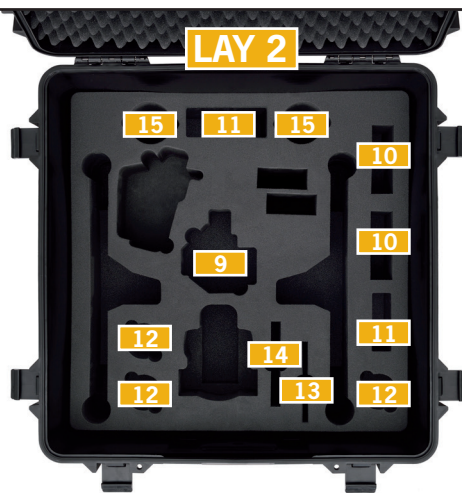
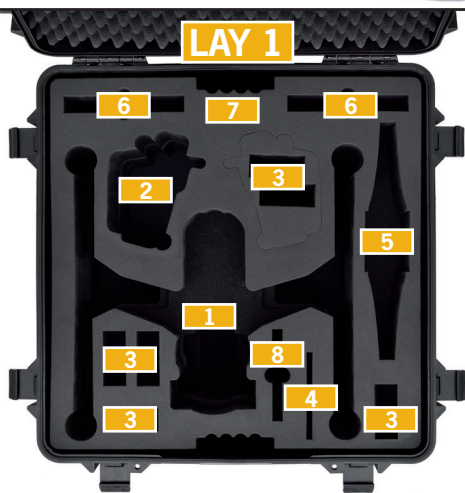


HPRC INS2-4600W-01



- 1** DJI Inspire 2 in Landing Mode with Gimbal Attached
- 2** Transmitter (Radio Controller)
- 3** Spare Flight Battery
- 4** Ipad Mini / Tablet up to 7.9"
- 5** Props + Spare Props
- 6** Charger
- 7** SSD
- 8** Crystal Monitor

- 9** Gimbal
- 10** Battery
- 11** Cables / Miscellaneous
- 12** Lens
- 13** Ipad Mini / Tablet up to 7.9"
- 14** Crystal Monitor
- 15** Charging Hub



TECHNICAL FEATURES

Dimension:

Internal dimension
611x611x345(mm) - 24.05x24.05x13.58(in)
External dimension
670x677x388.5(mm) - 26.38x26.65x15.3(in)

Weight:

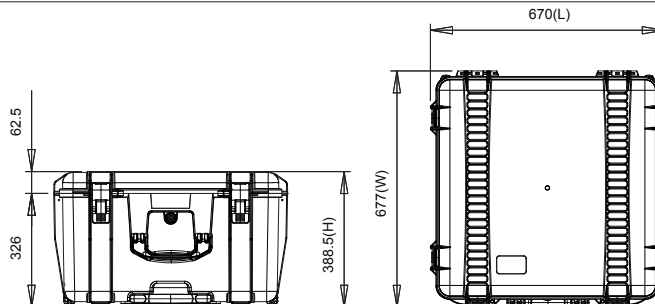
with foam: 14.30kg - 31.52lbs

Temperature rating:

Minimum Maximum
-40°C -40°F +80°C +176°F



TECHNICAL DRAWING



Plaber s.r.l. - HPRC cases

Via Div Tridentina, 10
I-36061 Bassano del Grappa
Vicenza - Italy

Tel +39 0424 809150
Fax +39 0424 808548

USA office and warehouse:

HPRC USA
240 Anderson Avenue
07074 Moonachie - New Jersey

Tel +1 201 617 2010
Fax +1 201 617 2001

www.hprc.it | www.hprcusa.com
info@hprc.it



APPROVALS
ATA 300
IP67
STANAG 4280
DS 81-41

TEST
DROP
IMPACT
HANDLE
WATERTIGHT INTEGRITY
UV COLOR AND MATERIAL
PROTECTION

