

HPRC ROS3500-01



FOR DJI RONIN-S



- 1** Gimbal with Focus Wheel
- 2** Extended Grip/Tripod
- 3** Camera Mounting Plate
- 4** 24W Usb Power Adapter
- 5** BG37 Grip x 2
- 6** Accessories Box

TECHNICAL FEATURES

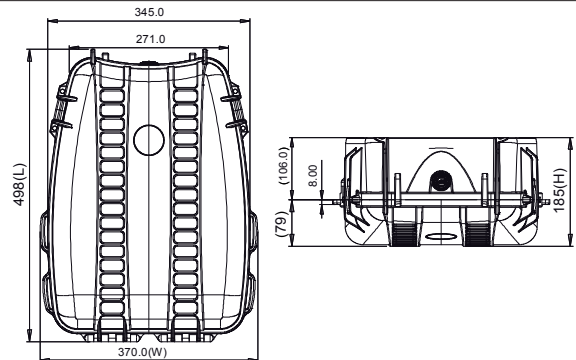
Dimension:
 internal dimension
 433x319x169(mm) - 17.05x12.56x6.65(in)
 external dimension
 498x370x185(mm) - 19.61x14.57x7.28(in)

Weight:
 3,55kg - 7.82lbs

Temperature rating:
 Minimum Maximum
 -40°C -40°F +80°C +176°F



TECHNICAL DRAWING



Plaber s.r.l. - HPRC cases

Via Div Tridentina, 10
 I-36061 Bassano del Grappa
 Vicenza - Italy

Tel +39 0424 809150
 Fax +39 0424 808548

HPRC USA

240 Anderson Avenue
 07074 Moonachie
 New Jersey - Usa

Tel +1 201 617 2010
 Fax +1 201 617 2001

www.hprc.it
 E: info@hprc.it



APPROVALS
 ATA 300
 IP67
 STANAG 4280
 DS 81-41

TEST
 DROP
 IMPACT
 HANDLE
 WATERTIGHT INTEGRITY
 UV COLOR AND MATERIAL
 PROTECTION

