



T U N I N G



SPECIAL CASES 2017

H P R C C A S E S  
**MADE IN ITALY**  
M A N U F A C T U R E D

**We are HPRC. We don't just design and manufacture watertight hard protective cases, we supply carrying solutions. And solutions need to be no-hassle and tailored to your needs.**

**This is why in Autumn 2013 we designed our first case with a foam specially cut to house the DJI Phantom 1.**

**Now, almost 3 years later, we are a leading manufacturer of custom cases for drones, gimbals, camcorders and cameras but we feel we are still at the beginning: more is yet to come.**

**HPRC**

**2700W**  
MADE IN ITALY

**dji**





DJI

SPECIAL CASES 2017

# HPRC MAV2400BLK-01



# HPRC MAV2400BLU-01



# HPRC MAV2400RED-01



- 1** DJI Mavic Pro Fly More Combo  
+ bottom extra space for extra folding propellers
- 2** Intelligent Flight Battery
- 3** Cables
- 4** Battery Charger
- 5** Battery Charging Hub
- 6** Remote Controller
- 7** Charger Cable
- 8** Car Charger
- 9** Battery to power bank adaptor

## TECHNICAL FEATURES

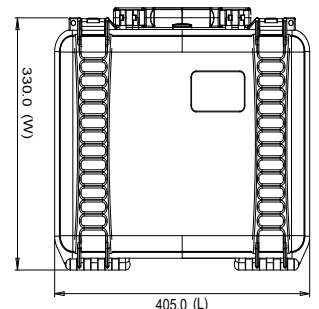
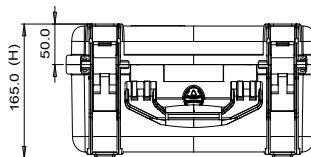
**Dimension:**  
 internal dimension  
 380x266x152(mm) - 14.96x10.47x5.98(in)  
 external dimension  
 405x330x170(mm) - 15.94x12.99x6.69(in)

**Weight:**  
 2,38kg - 5.25lbs

**Temperature rating:**  
 Minimum            Maximum  
 -40°C -40°F        +80°C +176°F



## TECHNICAL DRAWING



# HPRC MAV4050BLK-01



\*model height 180cm / 5.11 feet

\*shoulder strap sold separately



- 1 DJI Mavic Pro Fly More Combo
- 2 Charger Cable
- 3 Battery Charger
- 4 Battery to power bank adaptor
- 5 Extra folding Propellers
- 6 Battery Charging Hub
- 7 Car Charger
- 8 Cables
- 9 Intelligent Flight Battery
- 10 Intelligent Flight Battery
- 11 Cables
- 12 Remote Controller

## TECHNICAL FEATURES

### Dimension:

internal dimension  
261x171x220(mm) - 10.28x6.73x8.66(in)  
external dimension  
284x223x260(mm) - 11.18x8.78x10.24(in)

### Weight:

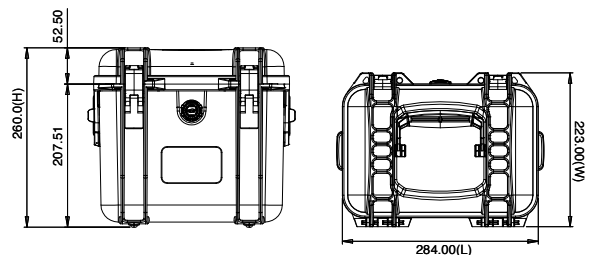
1,85kg - 4.07lbs

### Temperature rating:

Minimum                      Maximum  
-40°C -40°F                      +80°C +176°F



## TECHNICAL DRAWING



# HPRC MAV3500BLK-01



# HPRC MAV3500GRY-01



- 1 DJI Mavic Pro Fly More Combo  
+ bottom extra space for extra folding propellers
- 2 Intelligent Flight Battery
- 3 Remote Controller
- 4 Cables
- 5 Battery Charging Hub
- 6 Battery to power bank adaptor
- 7 Battery Charger
- 8 Car Charger
- 9 Charger Cable
- 10 Miscellaneous / Small Accessories

## TECHNICAL FEATURES

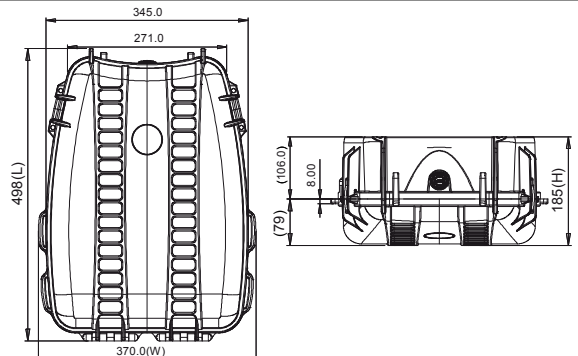
**Dimension:**  
 internal dimension  
 433x319x169(mm) - 17.05x12.56x6.65(in)  
 external dimension  
 498x370x185(mm) - 19.61x14.57x7.28(in)

**Weight:**  
 3,55kg - 7.82lbs

**Temperature rating:**  
 Minimum      Maximum  
 -40°C -40°F      +80°C +176°F



## TECHNICAL DRAWING



# HPRC MAVBAG35-01



\*model height 180cm / 5.11 feet



- 1 DJI Mavic Pro Fly More Combo  
+ bottom extra space for extra folding propellers
- 2 Intelligent Flight Battery
- 3 Remote Controller
- 4 Cables
- 5 Battery Charging Hub
- 6 Battery to power bank adaptor
- 7 Battery Charger
- 8 Car Charger
- 9 Charger Cable
- 10 Miscellaneous / Small Accessories

## TECHNICAL FEATURES

### Dimension:

internal dimension  
433x319x169(mm) - 17.05x12.56x6.65(in)

external dimension  
498x370x185(mm) - 19.61x14.57x7.28(in)





# PHA4-2710-01

## HPRC2710PHA4



- 1 - DJI Phantom 4 / Phantom 4 Pro / Phantom 4 Pro + with Props On
- 2 - Cables / Miscellaneous
- 3 - 3 x Filters
- 4 - Charger + Cables
- 5 - 2 x Kits of Spare Props
- 6 - Spare Battery
- 7 - Spare Battery / Miscellaneous Accessories
- 8 - Complimentary HPRC1100 for 8 MicroSD Cards
- 9 - Ipad Air / Tablet up to 10"
- 10- Controller Monitor Hood for Tablets / Instructions
- 11- Remote Controller
- 12- Cables
- 13- Small Tools



### TECHNICAL FEATURES

#### Dimension:

Internal dimension  
555x459x256(mm) - 21.85x18.07x10.08(in)  
External dimension  
617x525x280(mm) - 24.29x20.67x11.02(in)

#### Weight:

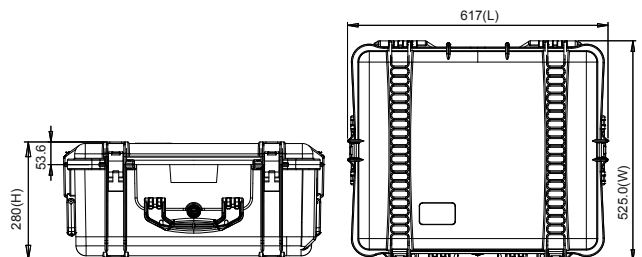
7.75kg - 17.08lbs

#### Temperature rating:

Minimum Maximum  
-40°C -40°F +80°C +176°F



### TECHNICAL DRAWING

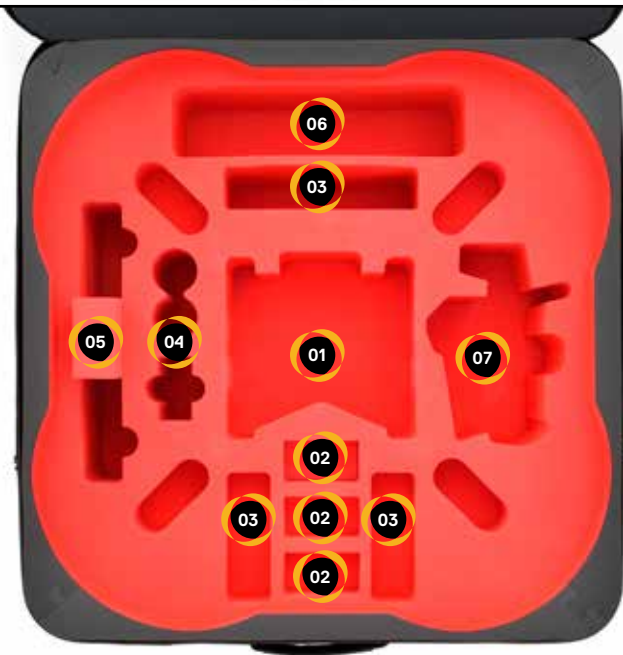


# PHA4-BAGLG-01

## HPRCDROLG4



**dji**  
PHANTOM 4



- 1- DJI Phantom 4 / Phantom 4 Pro / Phantom 4 Pro + with Props On / using Prop Guards
- 2- Spare Battery
- 3- Cables / Tools / Small Accessories
- 4- Battery Charger
- 5- 6 x Spare Props
- 6- Kit of Spare Prop Guards
- 7- Controller



### TECHNICAL FEATURES

**Dimension:**  
560x560x245(mm) - 22x22x9.6"(in)

**Weight:**  
2.6kg - 5.7lbs

# PHA4-2700W-01

## HPRC2700WPHA4



**dji**  
PHANTOM 4



- 1 - DJI Phantom 4 / Phantom 4 Pro / Phantom 4 Pro + with Props On
- 2 - Cables / Miscellaneous
- 3 - 3 x Filters
- 4 - Charger + Cables
- 5 - 2 x Kits of Spare Props
- 6 - Spare Battery
- 7 - Spare Battery / Miscellaneous Accessories
- 8 - Complimentary HPRC1100 for 8 MicroSD Cards
- 9 - Ipad Air / Tablet up to 10"
- 10- Controller Monitor Hood for Tablets / Instructions
- 11- Remote Controller
- 12- Cables
- 13- Small Tools



### TECHNICAL FEATURES

#### Dimension:

Internal dimension  
555x460x256(mm) - 21.85x18.1x10.08(in)  
External dimension  
620x525x280(mm) - 24.41x20.67x11.02(in)

#### Weight:

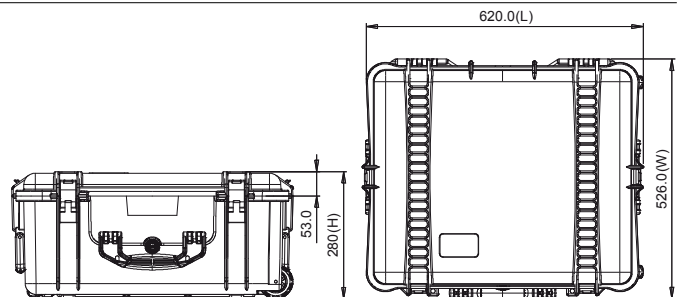
8.72kg - 19.22lbs

#### Temperature rating:

Minimum Maximum  
-40°C -40°F +80°C +176°F



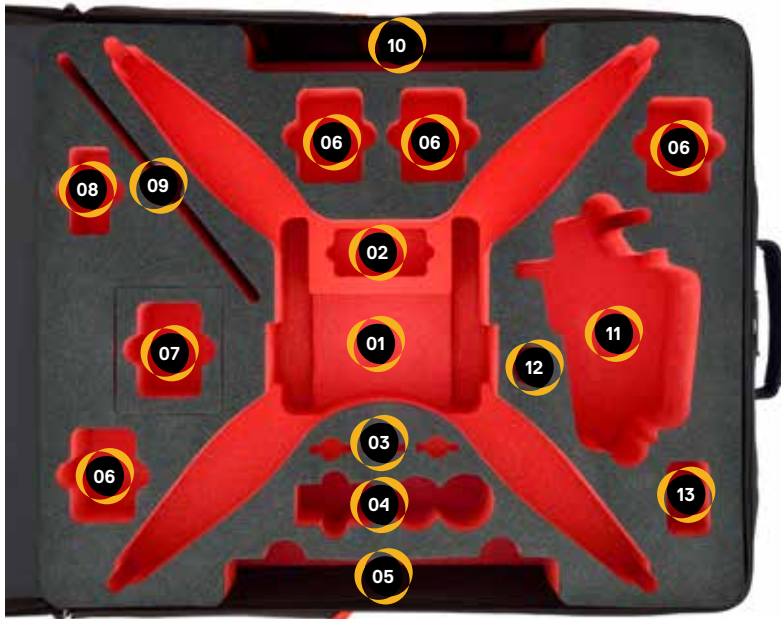
### TECHNICAL DRAWING





# PHA4-BAG27-01

## HPRCDROALPHA4



- 1 - DJI Phantom 4 / Phantom 4 Pro / Phantom 4 Pro + with Props On
- 2 - Cables / Miscellaneous
- 3 - 3 x Filters
- 4 - Charger + Cables
- 5 - 2 x Kits of Spare Props
- 6 - Spare Battery
- 7 - Spare Battery / Miscellaneous Accessories
- 8 - Complimentary HPRC1100 for 8 MicroSD Cards
- 9 - Ipad Air / Tablet up to 10"
- 10- Controller Monitor Hood for Tablets / Instructions
- 11- Remote Controller
- 12- Cables
- 13- Small Tools



**Dimension:** external dimension  
560x470x235(mm) - 22.05x18.50x9.25(in)

**Weight:** 2.30kg - 5.07lbs

# PHA4-2710COM-01

## HPRC2710PHA4COMBO

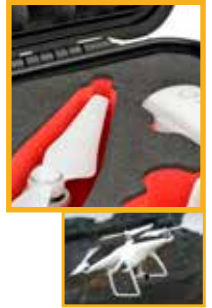
# COMBO | PHA4 |

ONE SOLUTION ALL YOU NEED



## HPRC2710

- 1 - DJI Phantom 4 / Phantom 4 Pro / Phantom 4 Pro + with Props On
- 2 - Cables / Miscellaneous
- 3 - 3 x Filters
- 4 - Charger + Cables
- 5 - 2 x Kits of Spare Props
- 6 - Spare Battery
- 7 - Spare Battery / Miscellaneous Accessories
- 8 - Complimentary HPRC1100 for 8 MicroSD Cards
- 9 - Ipad Air / Tablet up to 10"
- 10- Controller Monitor Hood for Tablets / Instructions
- 11- Remote Controller
- 12- Cables
- 13- Small Tools



**Dimension:** internal dimension 555x459x256(mm) - 21.85x18.07x10.08(in)  
 external dimension 617x525x280(mm) - 24.29x20.67x11.02(in)

**lid:** 45(mm) - 1.77(in) **bottom:** 211(mm) - 8.30(in)



**Weight:** 7.75kg - 17.08lbs

**Temperature rating:** Minimum -40°C -40°F Maximum +80°C +176°F



## HPRCPHA4BACKPACK

**Dimension:** external dimension 560x470x235(mm)  
 22.05x18.50x9.25(in)

**Weight (with foam):** 2.30kg - 5.07lbs



# PHA4-2700WCOM-01

## HPRC2700WPHA4COMBO

# COMBO | PHA4 | P

ONE SOLUTION ALL YOU NEED



## HPRC2700W

- 1 - DJI Phantom 4 / Phantom 4 Pro / Phantom 4 Pro + with Props On
- 2 - Cables / Miscellaneous
- 3 - 3 x Filters
- 4 - Charger + Cables
- 5 - 2 x Kits of Spare Props
- 6 - Spare Battery
- 7 - Spare Battery / Miscellaneous Accessories
- 8 - Complimentary HPRC1100 for 8 MicroSD Cards
- 9 - Ipad Air / Tablet up to 10"
- 10- Controller Monitor Hood for Tablets / Instructions
- 11- Remote Controller
- 12- Cables
- 13- Small Tools

**Dimension:**

**internal dimension**  
555x460x256(mm) - 21.85x18.1x10.08(in)  
**external dimension**  
620x525x280(mm) - 24.41x20.67x11.02(in)



**lid:** 46(mm) - 1,81(in) **bottom:** 210(mm) - 8,27(in)

**Weight:**

8.72kg - 19.22lbs

**Temperature rating:**

Minimum                      Maximum  
-40°C -40°F                      +80°C +176°F



## HPRCPHA4BACKPACK

**Dimension:**

**external dimension**  
560x470x235(mm)  
22.05x18.50x9.25(in)

**Weight (with foam):** 2.30kg - 5.07lbs

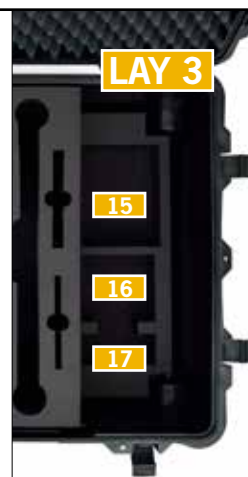
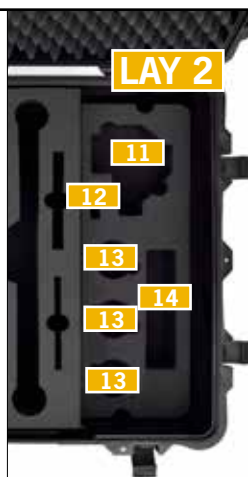
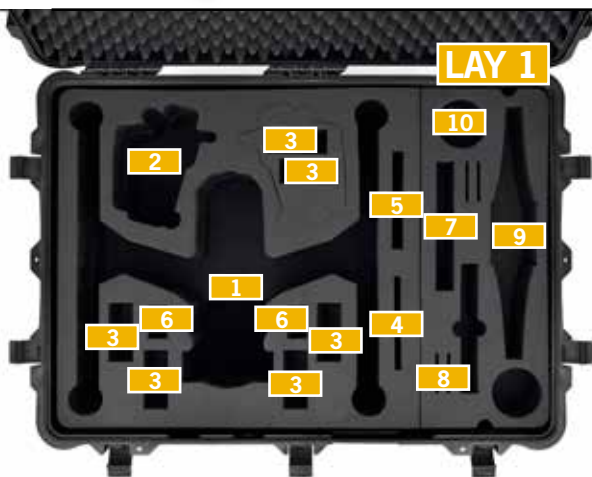




# HPRC INS2-2780W-01



**dji**  
INSPIRE 2



- 1** DJI Inspire 2 with Gimbal Attached
- 2** Transmitter (Radio Controller)
- 3** Spare Flight Battery
- 4** Ipad Mini / Tablet up to 7.9"
- 5** Crystal Monitor
- 6** SSD
- 7** Charger
- 8** Filters
- 9** Props + Spare Props
- 10** Charger Hub

- 11** Gimbal
- 12** Gimbal's Lid
- 13** Lens
- 14** Cables / Miscellaneous

- 15** Miscellaneous
- 16** DJI Battery Charging Hub
- 17** Small Accessories / Miscellaneous

## TECHNICAL FEATURES

### Dimension:

Internal dimension  
749x525x366(mm) - 29.49x20.67x14.41(in)  
External dimension  
810x586,5x388(mm) - 31.89x23.09x15.28(in)

### Weight:

with foam: 14.30kg - 31.52lbs

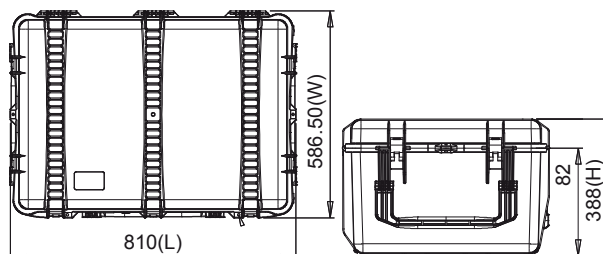
### Temperature rating:

Minimum            Maximum  
-40°C -40°F        +80°C +176°F

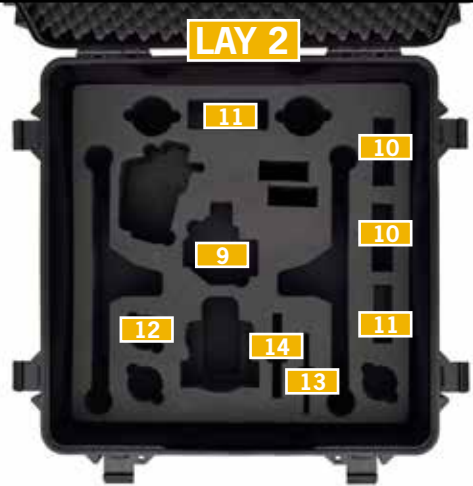
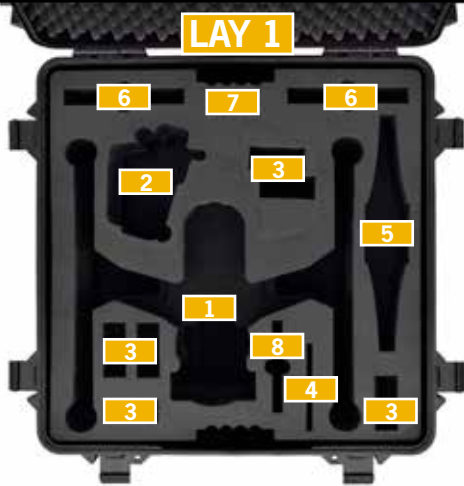


**W**

## TECHNICAL DRAWING



# HPRC INS2-4600W-01



- 1** DJI Inspire 2
- 2** Transmitter (Radio Controller)
- 3** Spare Flight Battery
- 4** Ipad Mini / Tablet up to 7.9"
- 5** Props + Spare Props
- 6** Charger
- 7** SSD
- 8** Crystal Monitor
- 9** Gimbal
- 10** Battery
- 11** Cables / Miscellaneous
- 12** Lens
- 13** Ipad Mini / Tablet up to 7.9"
- 14** Crystal Monitor



## TECHNICAL FEATURES

### Dimension:

Internal dimension  
611x611x345(mm) - 24.05x24.05x13.58(in)  
External dimension  
670x677x388.5(mm) - 26.38x26.65x15.3(in)

### Weight:

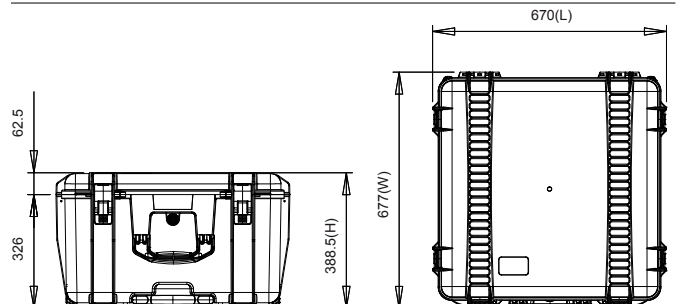
with foam: 14.30kg - 31.52lbs

### Temperature rating:

Minimum Maximum  
-40°C -40°F +80°C +176°F

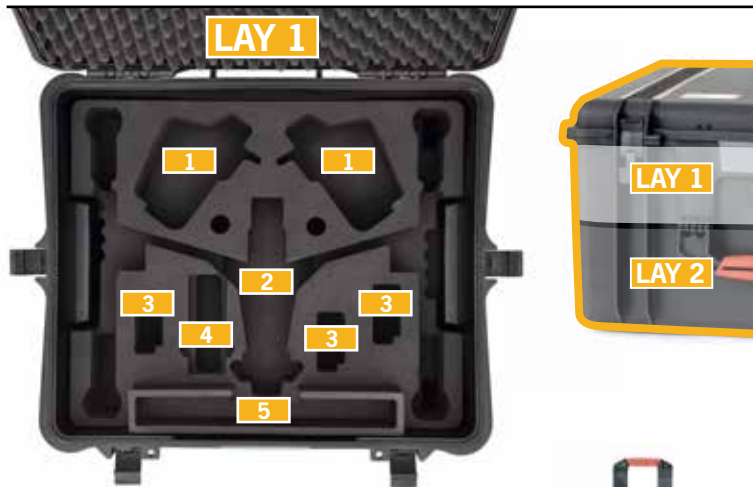


## TECHNICAL DRAWING



# INS2730W-02

## HPRC2730WINSPRO



- 1** Remote controller
- 2** DJI Inspire 1
- 3** Spare Battery
- 4** Battery Charger
- 5** Set of 4 propellers



- 6** Set of 4 propellers / Harness / Cables / Small Tools
- 7** 2 x Ipad Mini OR 1 x 7" Field Monitor / 2 x Ipad Air OR 1 x 10" Field Monitor
- 8** X3/X5 Gimbal
- 9** Spare Battery



### TECHNICAL FEATURES

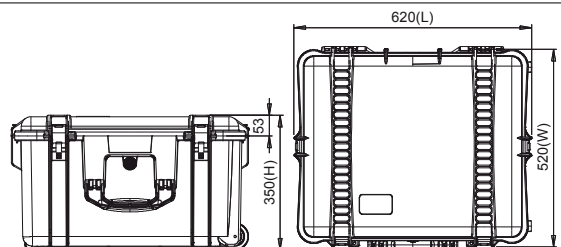
**Dimension:**  
 Internal dimension  
 550x460x316(mm) - 21.65x18.11x 12.44(in)  
 External dimension  
 620x520x350(mm) - 24.41x20.47x13.78(in)

**Weight:**  
 9,40 KG – 20.72 lbs

**Temperature rating:**  
 Minimum            Maximum  
 -40°C -40°F        +80°C +176°F

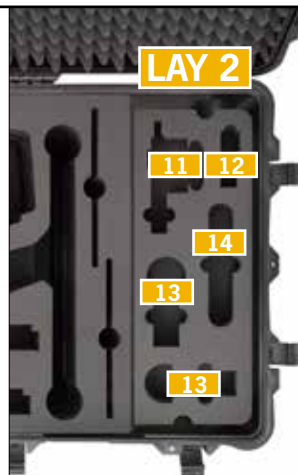
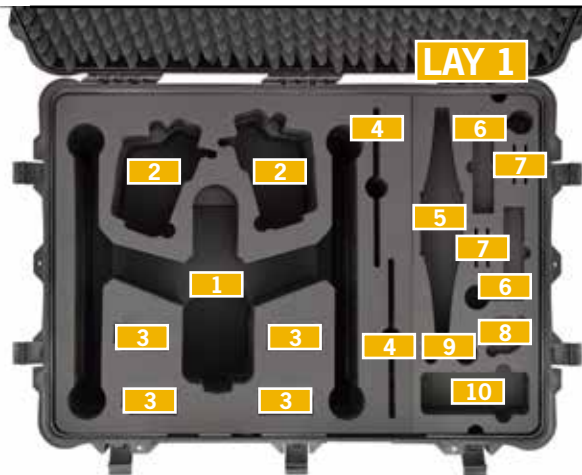


### TECHNICAL DRAWING



# INS2780W-01

## HPRC2780WINS



- 1** DJI Inspire 1 - DJI Inspire 1 Pro/RAW with Gimbal Attached
- 2** Transmitter (Radio Controller)
- 3** Spare Flight Battery
- 4** Ipad Air / Tablet up to 10"
- 5** 8-10 Spare Props
- 6** Charger
- 7** 2 x Filters
- 8** Spare Micro Four Thirds Lens
- 9** Cables
- 10** DJI Osmo (without Gimbal)

- 11** DJI Focus
- 12** DJI Focus Brushless Motor
- 13** Spare Flight Battery OR X3 Gimbal
- 14** Cables / Miscellaneous

- 15** Miscellaneous
- 16** DJI Battery Charging Hub
- 17** Small Accessories / Miscellaneous

### TECHNICAL FEATURES

#### Dimension:

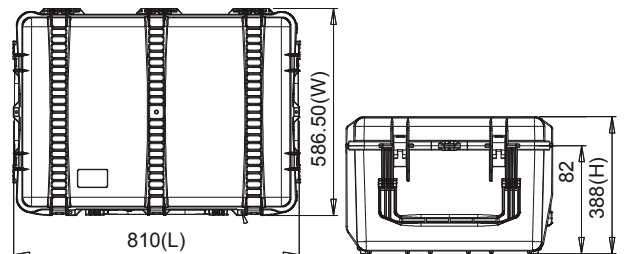
Internal dimension  
749x525x366(mm) - 29.49x20.67x14.41(in)  
External dimension  
810x586,5x388(mm) - 31.89x23.09x15.28(in)



#### Weight:

with foam: 14.30kg - 31.52lbs

### TECHNICAL DRAWING



#### Temperature rating:

Minimum -40°C -40°F      Maximum +80°C +176°F







# HPRC M100-4600W-01



- 1 Dji Matrice 100 with assembled guidance
- 2 6 x Spare Batteries
- 3 Zenmuse X5 / X3 Gimbal
- 4 Battery Charger
- 5 Propellers
- 6 Remote Controller
- 7 Miscellaneous / Small Accessories



## TECHNICAL FEATURES

### Dimension:

internal dimension  
611x611x345(mm) - 24.05x24.05x13.58(in)  
external dimension  
670x677x388.5(mm) - 26.38x26.65x15.3(in)

### Weight:

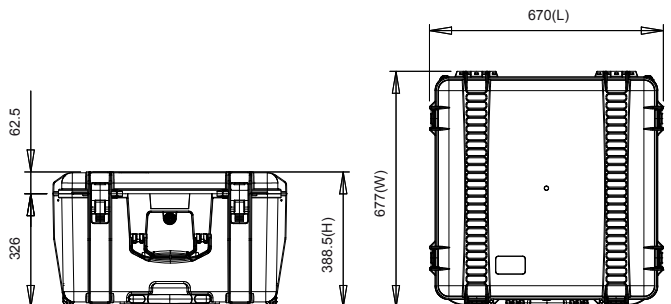
empty: 9,9kg - 21.83lbs

### Temperature rating:

Minimum Maximum  
-40°C -40°F +80°C +176°F



## TECHNICAL DRAWING



# BAT2400-01

## PHANTOM INSPIRE BATTERY CASE



New HPRC2400 with customized foam can hold until 6 spare batteries for DJI Phantom or DJI Inspire. The pre cutted foam could have the following internal layout:

- 6 batteries Inspire
- Charger for Inspire 100W or Charger for Inspire 180W



- 6 batteries for Phantom
- Charger for Phantom



- 3 batteries for Phantom
- + 3 batteries for Inspire
- Charger for Phantom or Charger for Inspire 100W or Charger for Inspire 180W



- 1 - Battery
- 2 - Charger + Cables

### TECHNICAL FEATURES

**Dimension:**

internal dimension 380x266x152(mm) - 14.96x10.47x5.98(in)  
 external dimension 405x330x170(mm) - 15.94x12.99x6.69(in)

lid: 45(mm) - 1.77(in) bottom: 107(mm) - 4.21(in)

**Weight:**

2,38kg - 5.25lbs

**Temperature rating:**

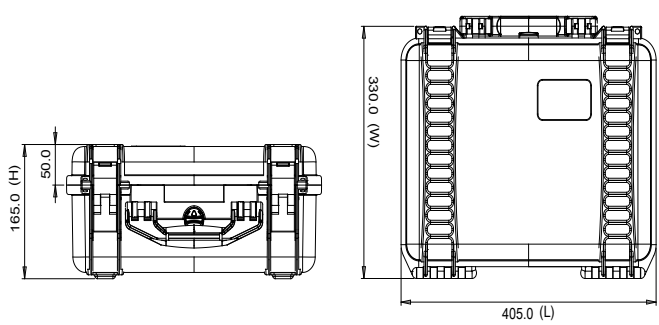
Minimum -40°C -40°F      Maximum +80°C +176°F

**Colors:**

Black



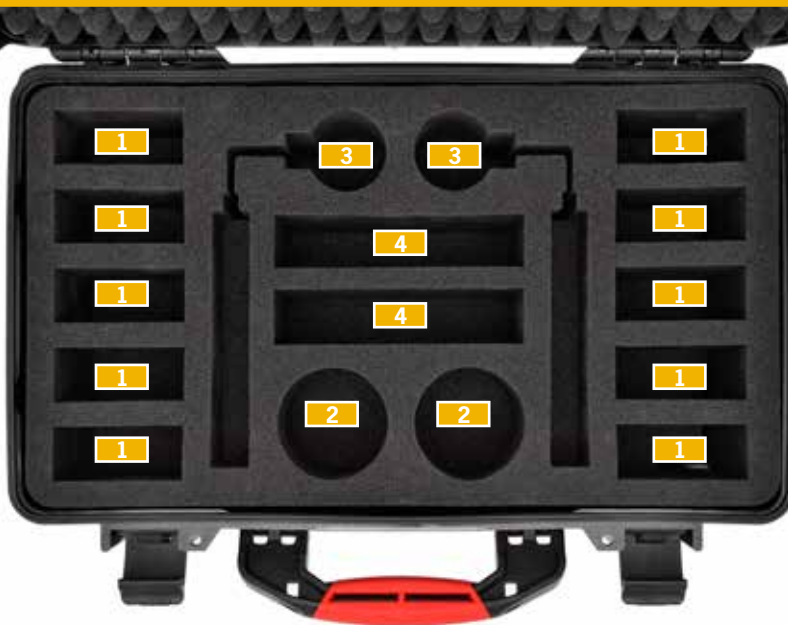
### TECHNICAL DRAWING



# HPRC BAT-2550W-01



**dji**  
INSPIRE 2



- 1 Battery for DJI Inspire 2
- 2 Charger Hub
- 3 Battery Charger
- 4 Miscellaneous



## TECHNICAL FEATURES

### Dimension:

Internal dimension  
749x525x366(mm) - 29.49x20.67x14.41(in)  
External dimension  
810x586,5x388(mm) - 31.89x23.09x15.28(in)

### Weight:

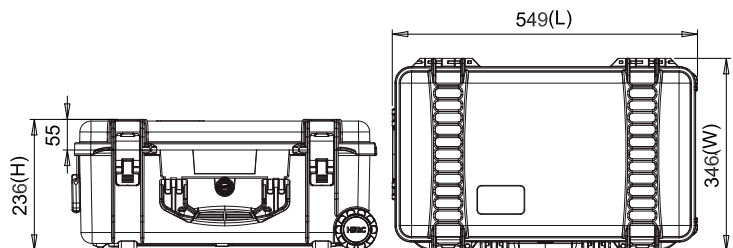
with foam: 14.30kg - 31.52lbs

### Temperature rating:

Minimum            Maximum  
-40°C -40°F        +80°C +176°F



## TECHNICAL DRAWING



# HPRC OSM2350-02



- 1** DJI Osmo or OSMO+ with X3 Gimball
- 2** Smartphone Holder
- 3** Cables / Miscellaneous Accessories
- 4** Battery Charger
- 5** Spare Batteries

## TECHNICAL FEATURES

### Dimension:

Internal dimension  
340x235x99(mm) - 13.38x9.25x3.90(in)  
External dimension  
365x290x115(mm) - 14.37x11.42x4.53(in)

### Weight:

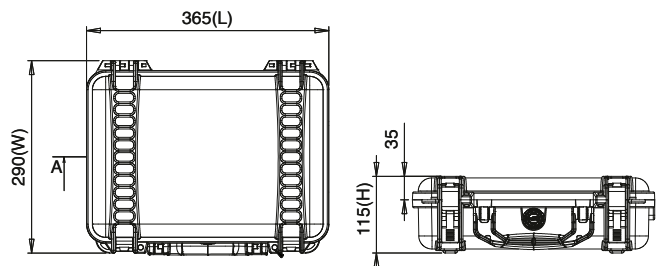
1.58kg - 3.49lbs

### Temperature rating:

Minimum                      Maximum  
-40°C -40°F                      +80°C +176°F



## TECHNICAL DRAWING

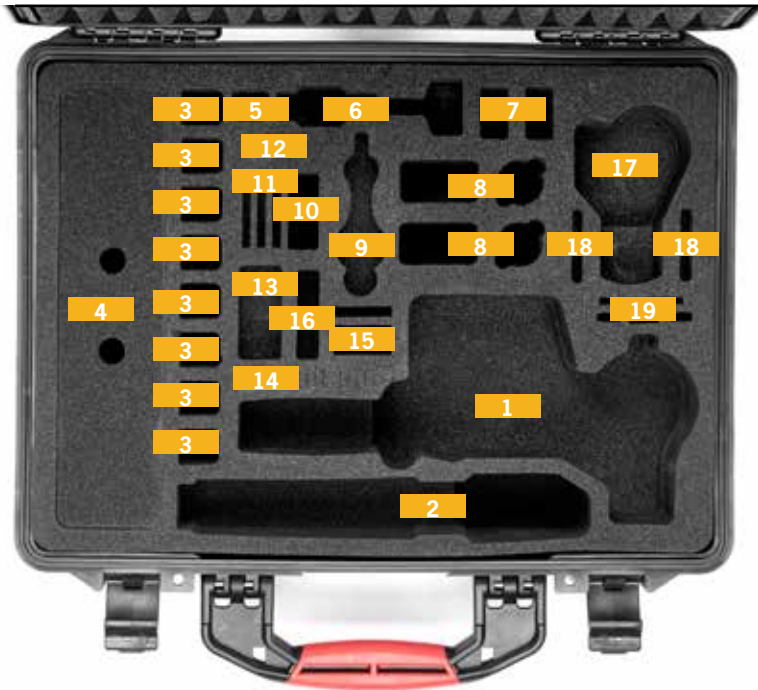




# HPRC OSM2500-01



FOR OSMOX5



- 1 Djí OSMO Handle + x5 Adapter + X5 Zenmuse (and more)
- 2 Tripod (over the stick extension) stick extension
- 3 8 x battery
- 4 Universal compartment (strap, rode microphone, etc...)
- 5 Other parts
- 6 Bike mount
- 7 Universal mount
- 8 2x charger + cable
- 9 Car mount adapter
- 10 2 x arm extension
- 11 3 x filter
- 12 arm extension screw
- 13 Manfrotto LED light
- 14 Strap
- 15 3 x SSD cards
- 16 SSD card reader
- 17 X3 / Z3 Zenmuse
- 18 X5 Filter
- 19 Micro SD, SD Adapter, USB Stick, Business card

## TECHNICAL FEATURES

### Dimension:

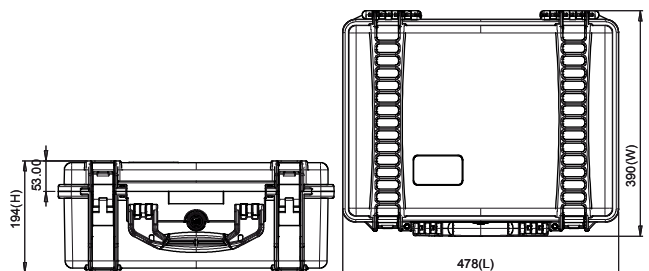
internal dimension 450x323x175(mm) - 17.72x12.72x6.89(in)  
external dimension 478x390x194(mm) - 18.82x15.35x7.64(in)

### Weight:

3,71kg - 8.18lbs

### Temperature rating:

Minimum -40°C -40°F      Maximum +80°C +176°F





# RMX2730W-01



- 1 - Ronin-MX Transmitter (Controller)
- 2 - Ronin-MX Gimbal
- 3 - 4x Spare Batteries
- 4 - 2x Charger
- 5 - 2x Side Handles
- 6 - Top Handle Bar
- 7 - Tuning Stand
- 8 - Camera Mounting Plate



## TECHNICAL FEATURES

**Dimension:**  
 internal dimension 509x460x316(mm) - 20.04x18.11x12.44(in)  
 external dimension 620x520x350(mm) - 24.41x20.47x13.78(in)

lid: 45(mm) - 1.77(in) bottom: 271(mm) - 10.66(in)

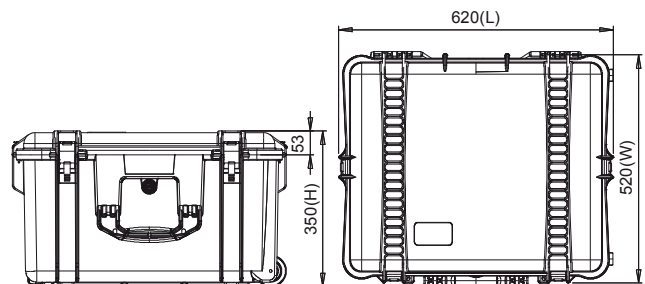
**Weight:**  
 empty: 7,55kg - 16.64lbs  
 with cubed foam: 10,43kg - 22.99lbs

**Temperature rating:**  
 Minimum Maximum  
 -40°C -40°F +80°C +176°F

**Colors:**  
 Black



## TECHNICAL DRAWING



# RON2700W-01

## HPRC2700WRON



- 1 - DJI Ronin Handheld Gimbal
- 2 - Controller
- 3 - Cables/Accessories/Miscellaneous
- 4 - Quick Plate Mount
- 5 - Cables
- 6 - Pair of 15mm Rods
- 7 - Mounting Plate
- 8 - 2 x Spare Batteries
- 9 - Cables
- 10 - Charger
- 11 - Cables
- 12 - Tuning Stand
- 13 - Brackets/Screws
- 14 - Handlebar
- 15 - Knobs



**Dimension:**

**internal dimension**

555x460x256(mm) - 21,85x18,1x10,08(in)

**external dimension**

620x520x275(mm) - 24,41x20,47x10,83(in)



**lid:** 46(mm) - 1,81(in) **bottom:** 210(mm) - 8,27(in)

**Weight:**

**empty:** 7,55kg - 16,65lbs

**with foam:** 8,68 KG / 19,14lbs

**Temperature rating:**

Minimum  
-40°C -40°F

Maximum  
+80°C +176°F



# ROM2700W-01

## HPRC2700WROM



- 1 - Ronin-M Transmitter (Controller)
- 2 - Ronin-M Gimbal
- 3 - 2x Side Handles
- 4 - Cables/Screws/Small Accessories
- 5 - Top Handle Bar
- 6 - Cables/Screws/Accessories
- 7 - Tuning Stand
- 8 - 3x Spare Batteries
- 9 - 2x Charger
- 10 - Camera Mounting Plate
- 11 - 7" Field Monitor



### Dimension:

#### internal dimension

555x460x256(mm) - 21,85x18,1x10,08(in)

#### external dimension

620x520x275(mm) - 24,41x20,47x10,83(in)

lid: 46(mm) - 1,81(in) bottom: 210(mm) - 8,27(in)

### Weight:

empty: 7,55kg - 16,65lbs

with foam: 8,68 KG / 19,14lbs

### Temperature rating:

Minimum  
-40°C -40°F

Maximum  
+80°C +176°F





**YUNEEC**

**SPECIAL CASES 2017**

# TYH-4600W-01



- 1 - Yuneec Typhoon H
- 2 - Spare Battery
- 3 - Remote Controller
- 4 - 2 Kits of Spare Props
- 5 - Transformer
- 6 - Charger
- 7 - Miscellaneous Accessories
- 8 - Small Accessories / Cables
- 9 - Small Tools
- 10 - Sunshade



## TECHNICAL FEATURES

### Dimension:

internal dimension 611x611x345(mm) - 24.05x24.05x13.58(in)  
 external dimension 670x677x388.5(mm) - 26.38x26.65x15.3(in)

lid: 55.5(mm) - 2.18(in) bottom: 289(mm) - 11.37(in)

### Weight:

12,5kg - 27.55lbs

### Temperature rating:

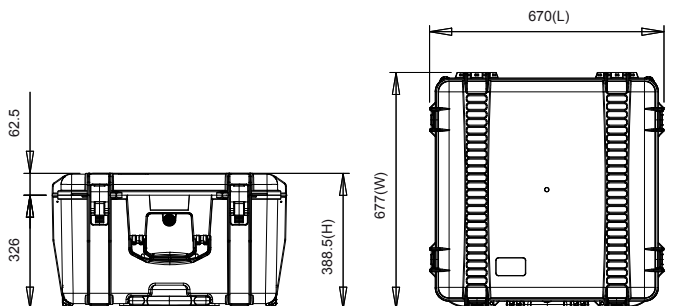
Minimum Maximum  
 -40°C -40°F +80°C +176°F

### Colors:

Black



## TECHNICAL DRAWING







3D Robotics

SPECIAL CASES 2017

# SOL2700W-01

## HPRC2700WSOL



- 1 - 3DR Solo with Props on
- 2 - 2 Spare Motors
- 3 - 2 Kits of Spare Props
- 4 - Spare Battery
- 5 - Small Accessories / Cables
- 6 - GoPro with Housing
- 7 - Transformer
- 8 - Charger
- 9 - Ipad Air / Tablet up to 10"
- 10 - 4 GoPro Batteries
- 11 - Remote Controller



**Dimension:**

**internal dimension**  
555x460x256(mm) - 21,85x18,1x10,08(in)  
**external dimension**  
620x520x275(mm) - 24,41x20,47x10,83(in)



**lid:** 46(mm) - 1,81(in) **bottom:** 210(mm) - 8,27(in)

**Weight:**

**empty:** 7,55kg - 16,65lbs  
**with foam:** 8,68 KG / 19,14lbs

**Temperature rating:**

Minimum                      Maximum  
-40°C -40°F                      +80°C +176°F





Freefly

SPECIAL CASES 2017

# HPRC FFS-4600W-01



- |   |  |   |
|---|--|---|
| <b>1</b> Mimic / Classic Handle             | <b>7</b> Cables                          | <b>10</b> MōVI Pro Low Profile Handle   |
| <b>2</b> Battery                            | <b>8</b> Main Gimbal                     | <b>11</b> MōVI Ring Pro                 |
| <b>3</b> Mimic Antenna                      | <b>9</b> Plastic rings for MōVI Ring Pro | <b>12</b> Freely Hex Driver - 2.0+2.5MM |
| <b>4</b> Rolls                              |  |   |
| <b>5</b> Plastic Feet for for MōVI Ring Pro |  |   |
| <b>6</b> Battery Charger                    |  |   |

## TECHNICAL FEATURES

### Dimension:

Internal dimension  
611x611x345(mm) - 24.05x24.05x13.58(in)  
External dimension  
670x677x388.5(mm) - 26.38x26.65x15.3(in)

### Weight:

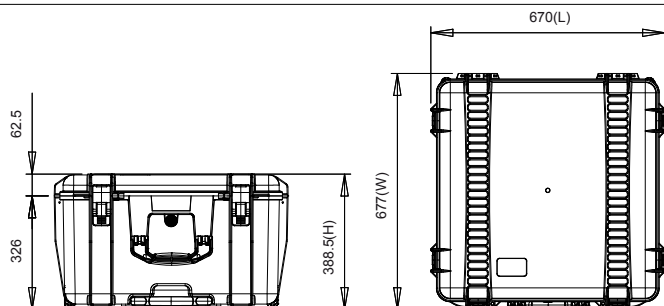
with foam: 14.30kg - 31.52lbs

### Temperature rating:

Minimum                      Maximum  
-40°C -40°F                      +80°C +176°F



## TECHNICAL DRAWING







GoPro  
Be a HERO.

GOPRO

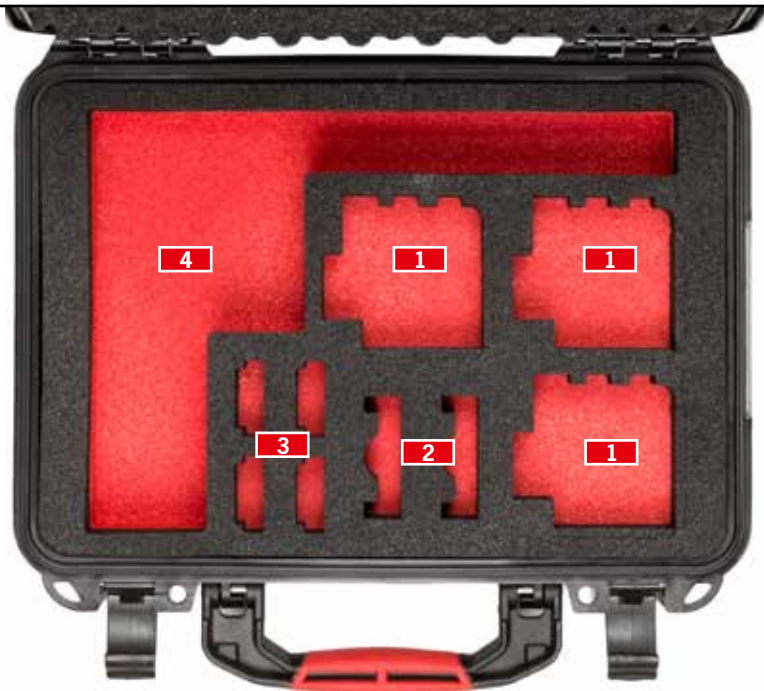


SPECIAL CASES 2017



# GPR2350-02

## HPRC2350GP



- 1** GoPro Hero3/Hero3+/Hero4
- 2** 2 x LCDs
- 3** 4 x Spare Batteries
- 4** Miscellaneous Accessories

### TECHNICAL FEATURES

**Dimension:**  
365x290x115(mm) - 14.37x11.42x4.53(in)

**Weight:**  
empty: 1.48kg - 3.25lbs  
with cubed foam: 1.61kg - 3.55lbs

**Temperature rating:**  
Minimum -40°C -40°F      Maximum +80°C +176°F





Chrosziel

Chrosziel  
Made in Germany  
MB 400  
Academy Edition

35mm PRIME  
Schneider-Kreuznach

# BLACKMAGIC

REC  
MAG  
PT  
FF  
REC  
MAG  
PT  
FF

Backmagnum 400



SPECIAL CASES 2017



# URS2730W-01



- 1 - Blackmagic Ursa Mini
- 2 - Batteries
- 3 - Lens
- 4 - Accessories / Cables
- 5 - Charger



## TECHNICAL FEATURES

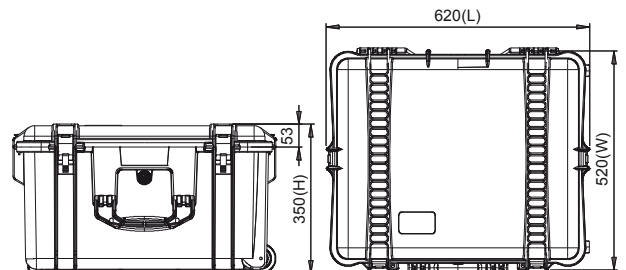
**Dimension:**  
 internal dimension 509x460x316(mm) - 20.04x18.11x12.44(in)  
 external dimension 620x520x350(mm) - 24.41x20.47x13.78(in)  
 lid: 45(mm) - 1.77(in) bottom: 271(mm) - 10.66(in)

**Weight:**  
 empty: 7,55kg - 16.64lbs  
 with cubed foam: 10,43kg - 22.99lbs

**Temperature rating:**  
 Minimum Maximum  
 -40°C -40°F +80°C +176°F

**Colors:**  
 Black

## TECHNICAL DRAWING





SONY

α

7R

Carl Zeiss

Vario-Tessar FE 4/24-70 ZA OSS

35588032

φ67

SONY

SPECIAL CASES 2017

# ALP2460-01



FOR SONY ALPHA 7

HPRC2460 for ALPHA 7 is a special edition, designed to safely carry your SONY Alpha Series.



- 1 Sony A7/A7R/A7S/A7II/A7RII/A7SII/a6300 with or without professional cage and lenses mounted (EF/F/PL-Mount/Leica R)
- 2 Lenses: Sony FE 50/1.4, 50/2,8 Macro, 24-70/2.8 G, 85/1,4 G, 16-35/4, 24-70/4, 28-70/3.5-5.6, 28/2.0 - SONY ZA 35/2.8, 35/1.4, 50/1.4, 50/1,8 55/1.8/ 10-18/4 - Zeiss Loxia 21/2.8, 35/2.0, 50/2.0
- 3 Battery chargers, cables
- 4 Accessories (baseplate, rods, top grip handles, lockports, cables, batteries, controllers, GoPro)
- 5 external recorder Atomos/Sound Device etc



## TECHNICAL FEATURES

### Dimension:

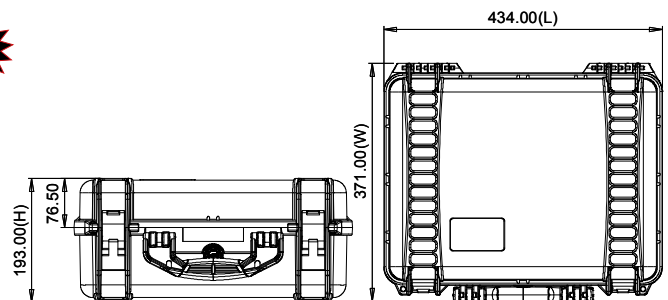
internal dimension 409x306x175(mm) - 16.10x12.05x6.89(in)  
external dimension 434x371x193(mm) - 17.09x14.61x7.60(in)

### Weight:

3,14kg - 6.92lbs

### Temperature rating:

Minimum Maximum  
-40°C -40°F +80°C +176°F







LEICA



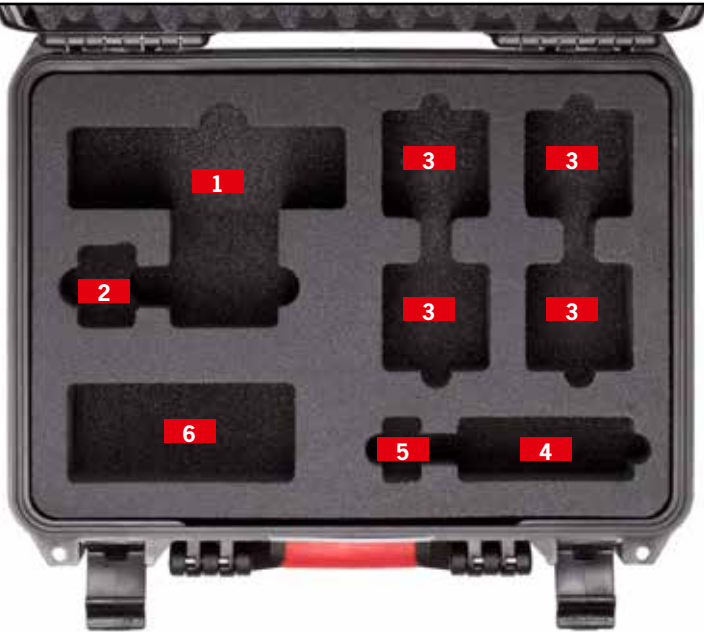
LEICA

SPECIAL CASES 2017

# LEM2400-01



FOR LEICA M



- 1** 1 x Leica M Camera Body with Lens Attached
- 2** Electronic Viewfinder
- 3** 4 x Lens
- 4** Charger
- 5** Spare Battery
- 6** Cables/Miscellaneous

## TECHNICAL FEATURES

### Dimension:

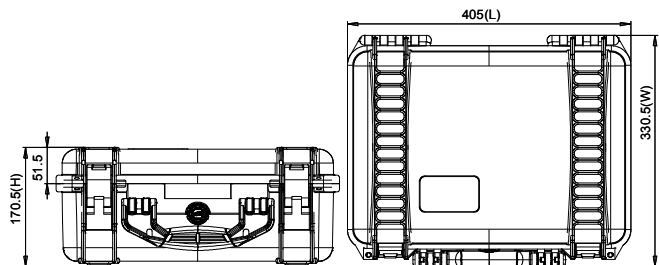
internal dimension 380x266x152(mm) - 14.96x10.47x5.98(in)  
external dimension 405x330x170(mm) - 15.94x12.99x6.69(in)

### Weight:

empty: 2,05kg - 4.52lbs  
with foam: 2,38kg - 5.25lbs

### Temperature rating:

Minimum -40°C -40°F      Maximum +80°C +176°F



# LEM2460-01



FOR LEICA M



- 1** 2 x Leica M Camera Body with Lens Attached
- 2** 2 x Electronic Viewfinder
- 3** 2 x Spare Batteries
- 4** 4 x Lens
- 5** 2 x Charger
- 6** Cables/Miscellaneous

## TECHNICAL FEATURES

### Dimension:

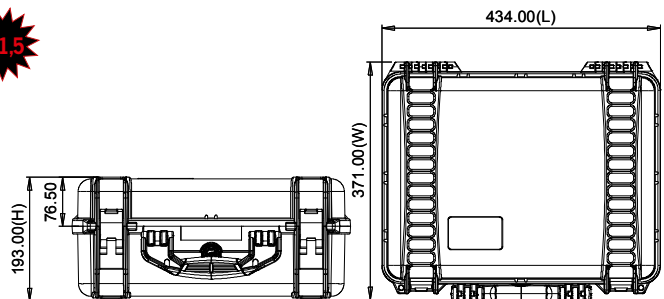
internal dimension 409x306x175(mm) - 16.10x12.05x6.89(in)  
external dimension 434x371x193(mm) - 17.09x14.61x7.60(in)

### Weight:

empty: 2,60kg - 5.73lbs  
with foam: 3,14kg - 6.92lbs

### Temperature rating:

Minimum -40°C -40°F      Maximum +80°C +176°F








11000000  
270000

H P R C C A S E S  
**MADE IN ITALY**  
M A N U F A C T U R E D

 Find us  
on Facebook

 PlaberItalia  
Channel





I



BROMPTON

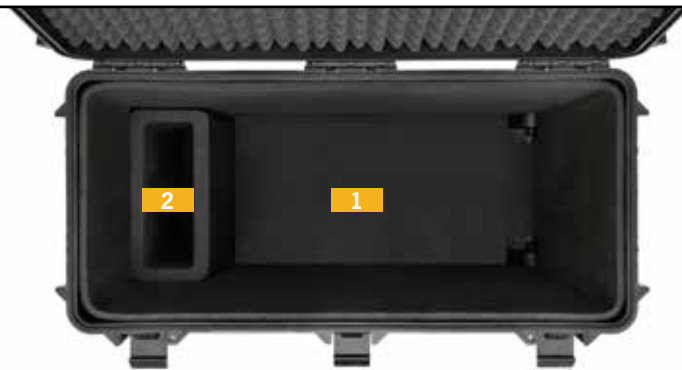
BROMPTON



SPECIAL CASES 2017



# BRO4800W-01



1 Brompton Bike

2 Accessories



## TECHNICAL FEATURES

### Dimension:

internal dimension  
720x320x600(mm) - 28.34x12.60x23.62(in)  
external dimension  
776x380x649(mm) - 30.55x14.96x25.55(in)

### Weight:

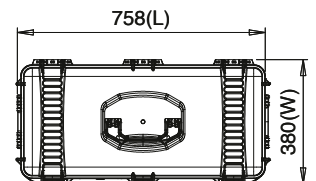
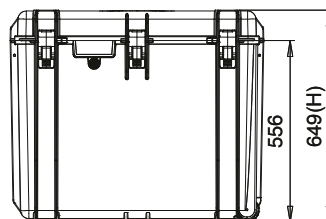
with foam: 11.60 kg – 25.57 lbs

### Temperature rating:

Minimum Maximum  
-40°C -40°F +80°C +176°F



## TECHNICAL DRAWING





APPLE

SPECIAL CASES 2017

# MAC4800W-01 HPRC4800WMAC



- 1** Apple Imac 27"
- 2** Cable
- 3** Keyboard + Mouse



## TECHNICAL FEATURES

### Dimension:

internal dimension  
720x320x600(mm) - 28.34x12.60x23.62(in)  
external dimension  
776x380x649(mm) - 30.55x14.96x25.55(in)

### Weight:

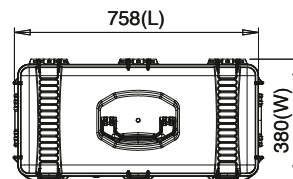
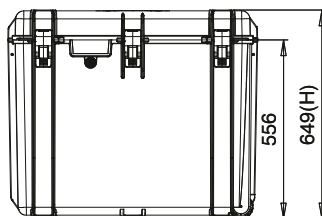
with foam: 11.60 kg – 25.57 lbs

### Temperature rating:

Minimum                      Maximum  
-40°C -40°F                      +80°C +176°F



## TECHNICAL DRAWING





**HPRC®**

**T U N I N G**

**Plaber s.r.l. - HPRC cases**

Via Div Tridentina, 10  
I-36061 Bassano del Grappa  
Vicenza - Italy

Tel +39 0424 809150  
Fax +39 0424 808548

USA office and warehouse:

**Plaber America Inc - HPRC cases**

240 Anderson Avenue  
07074 Moonachie - New Jersey

Tel +1 201 617 2010  
Fax +1 201 617 2001

[www.hprc.it](http://www.hprc.it) | [www.hprcusa.com](http://www.hprcusa.com)

[info@hprc.it](mailto:info@hprc.it)

HPRC® Brand owned by:

*plaber*  
ITALIA

**SPECIAL CASES 2017**