

HPRC M210-4600W-03



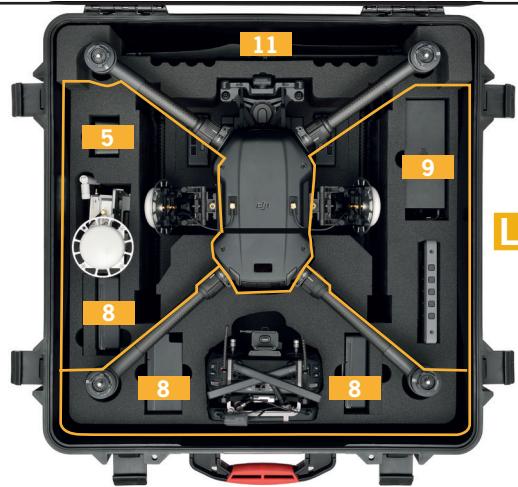
LAY 1



LAY 2



LAY 1



LAY 2

- 1** Dji Matrice 210 RTK with 2 GPS RTK kit, 2 batteries (x 2 TB50 or x 2 TB55) mounted
- 2** D-RTK Ground System Kit
- 3** Cendence Remote Controller with patch antenna
- 4** CrystalSky Battery (WB37)
- 5** Charging Hub for CrystalSky (WCH2)
- 6** CrystalSky 7.85"
- 7** Charging Hub (IN2)
- 8** Battery TB50 or battery TB55
- 9** Battery Charger
- 10** Small Accessories

- 11** x 4 Propellers Pair



TECHNICAL FEATURES

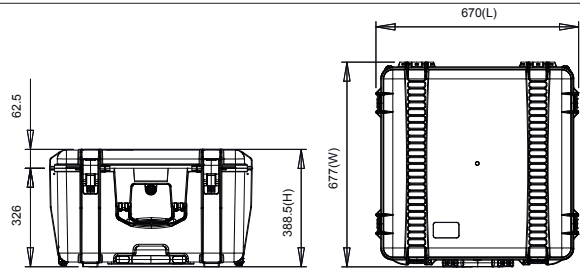
Dimension:
 internal dimension
 611x611x345(mm) - 24.05x24.05x13.58(in)
 external dimension
 670x677x388.5(mm) - 26.38x26.65x15.3(in)

Weight:
 empty: 9,9kg - 21.83lbs

Temperature rating:
 Minimum -40°C -40°F
 Maximum +80°C +176°F



TECHNICAL DRAWING



HPRC
 Plaber s.r.l. - HPRC cases
 Via Div Tridentina, 10
 I-36061 Bassano del Grappa
 Vicenza - Italy
 Tel +39 0424 809150
 Fax +39 0424 808548
www.hprc.it
 E: info@hprc.it

USA office and warehouse:
 HPRC USA
 240 Anderson Avenue
 07074 Moonachie - New Jersey
 Tel +1 201 617 2010
 Fax +1 201 617 2001
www.hprc.it
 E: info@hprc.it



APPROVALS
 ATA 300
 IP67
 STANAG 4280
 DS 81-41

TEST
 DROP
 IMPACT
 HANDLE
 WATERTIGHT INTEGRITY
 UV COLOR AND MATERIAL
 PROTECTION

