

HPRC

D850-2460-01



for NIKON D850



- 1 D850 Camera Body
- 2 Additional EN-EL15a Rechargeable Li-Ion Battery
- 3 ME-W1 Wireless Microphone
- 4 ME-1 Stereo Microphone
- 5 Atomos Ninja Flame
- 6 Lenses: AF-S NIKKOR 35mm f/1,8G ED / AF-S NIKKOR 85mm f/1.8G / AF-S NIKKOR 20mm f/1,8G ED
- 7 MH-25A Battery Charger/ UC-E22 USB Cable / Coiled HDMI Cable

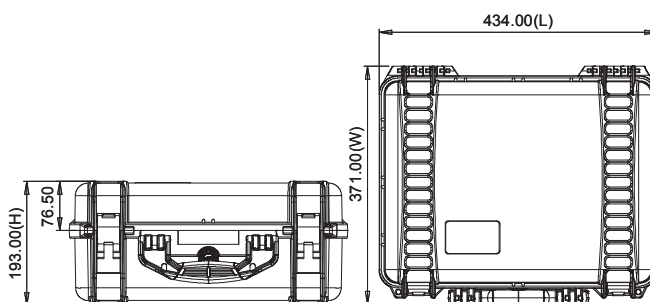


TECHNICAL FEATURES

Dimension:
 internal dimension 409x306x175(mm) - 16.10x12.05x6.89(in)
 external dimension 434x371x193(mm) - 17.09x14.61x7.60(in)

Weight:
 empty: 2,60kg - 5.73lbs
 with foam: 3,14kg - 6.92lbs

Temperature rating:
 Minimum -40°C -40°F
 Maximum +80°C +176°F



Plaber s.r.l. - HPRC cases

Via Div Tridentina, 10
 I-36061 Bassano del Grappa
 Vicenza - Italy

Tel +39 0424 809150
 Fax +39 0424 808548

USA office and warehouse:

HPRC USA
 240 Anderson Avenue
 07074 Moonachie - New Jersey

Tel +1 201 617 2010
 Fax +1 201 617 2001

www.hprc.it
 E: info@hprc.it



APPROVALS
 ATA 300
 IP67
 STANAG 4280
 DS 81-41

TEST
 DROP
 IMPACT
 HANDLE
 WATERTIGHT INTEGRITY
 UV COLOR AND MATERIAL
 PROTECTION

