

# HPRC2400 Autel Robotics EVO II 6K / 8K Drone

## EVO2-2400-01



- 1 Autel Robotics EVO II 6K / 8K Drone
- 2 Charger cable
- 3 Micro USB Cable
- 4 Remote Controller
- 5 Flight Battery
- 6 Propellers
- 7 Cable/Accessories
- 8 Micro USB Cable
- 9 Charger



### TECHNICAL FEATURES

#### Dimension:

Internal dimension  
380x266x152(mm) - 14.96x10.47x5.98(in)  
External dimension  
405x330x170(mm) - 15.94x12.99x6.69(in)

#### Weight:

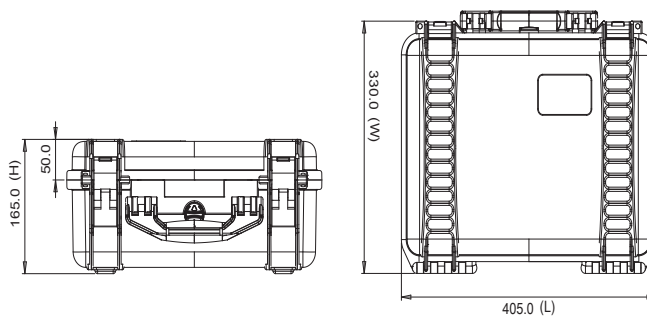
2,38kg - 5.25lbs

#### Temperature rating:

Minimum Maximum  
-40°C -40°F +80°C +176°F



### TECHNICAL DRAWING



[www.hprc.it](http://www.hprc.it)  
[info@hprc.it](mailto:info@hprc.it)

**Plaber s.r.l. - HPRC cases**  
Via Div Tridentina, 10  
I-36061 Bassano del Grappa  
Vicenza - Italy  
Tel +39 0424 809150

USA office and warehouse:  
HPRC USA  
240 Anderson Avenue  
07074 Moonachie - New Jersey  
Tel +1 201 617 2010



**APPROVALS**  
ATA 300  
IP67  
STANAG 4280  
DS 81-41

**TEST**  
DROP  
IMPACT  
HANDLE  
WATERTIGHT INTEGRITY  
UV COLOR AND MATERIAL  
PROTECTION

