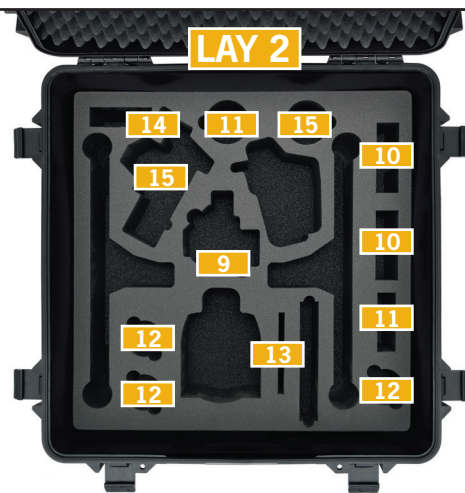


# HPRC INS2-4600W-02



- 1** DJI Inspire 2 in Landing Mode with Gimbal X7 Attached
- 2** Standard Radio Controller
- 3** Spare Flight Battery
- 4** Ipad Mini / Tablet up to 7.9"
- 5** Props + Spare Props
- 6** Charger
- 7** SSD
- 8** CrystalSky 7.85"



- 9** Gimbal
- 10** Battery
- 11** Cables / Miscellaneous
- 12** Lens
- 13** Crystal Monitor
- 14** Charging Hub
- 15** Cendence Remote Controller



## TECHNICAL FEATURES

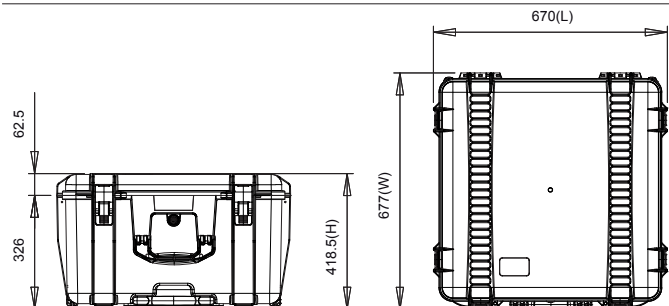
**Dimension:**  
Internal dimension  
611x611x375(mm) - 24.05x24.05x14.76(in)  
External dimension  
670x677x418.5(mm) - 26.38x26.65x16.4(in)

**Weight:**  
with foam: 14.30kg - 31.52lbs

**Temperature rating:**  
Minimum      Maximum  
-40°C -40°F      +80°C +176°F



## TECHNICAL DRAWING



**HPRC**  
Plaber s.r.l. - HPRC cases  
Via Div Tridentina, 10  
I-36061 Bassano del Grappa  
Vicenza - Italy  
Tel +39 0424 809150  
Fax +39 0424 808548

USA office and warehouse:  
HPRC USA  
240 Anderson Avenue  
07074 Moonachie - New Jersey  
Tel +1 201 617 2010  
Fax +1 201 617 2001  
[www.hprc.it](http://www.hprc.it) | [www.hprcusa.com](http://www.hprcusa.com)  
info@hprc.it



**APPROVALS**  
ATA 300  
IP67  
STANAG 4280  
DS 81-41

**TEST**  
DROP  
IMPACT  
HANDLE  
WATERTIGHT INTEGRITY  
UV COLOR AND MATERIAL  
PROTECTION

