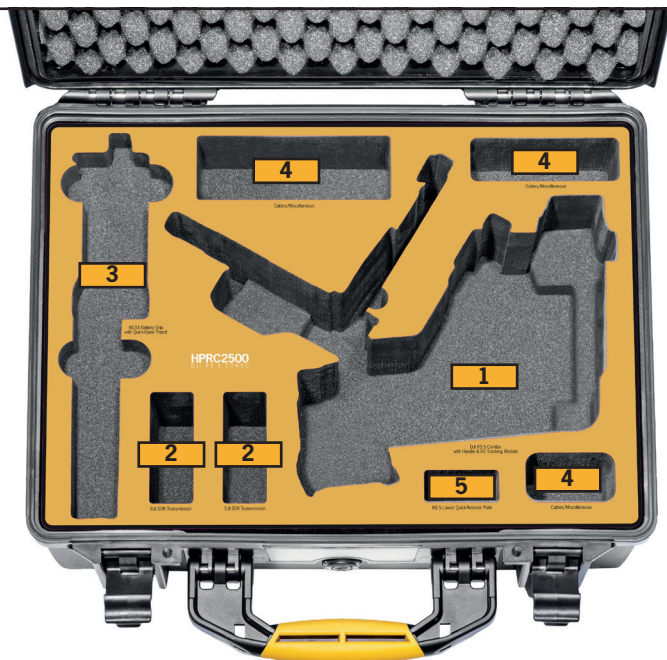
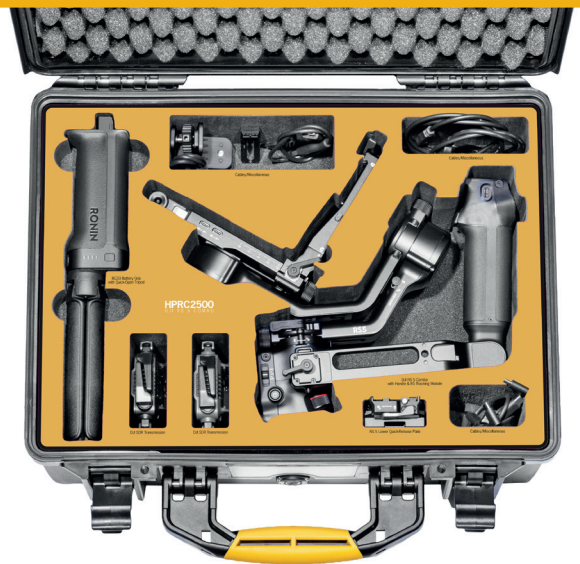


# HPRC2500 for DJI RS 5 Combo

## S-RS5-2500-01



- 1** DJI RS 5 Combo with Handle & RS Tracking Module
- 2** DJI SDR Transmission
- 3** BG33 Battery Grip with Quick-Open Tripod
- 4** Cables/Miscellaneous
- 5** RS 5 Lower Quick-Release Plate



### TECHNICAL FEATURES

#### Dimension:

Internal dimension  
449,8x322,9x174,9(mm) - 17.71x12.71x6.89(in)  
External dimension  
478,1x389,4x194,0(mm) - 18.82x15.33x7.64(in)

#### Weight:

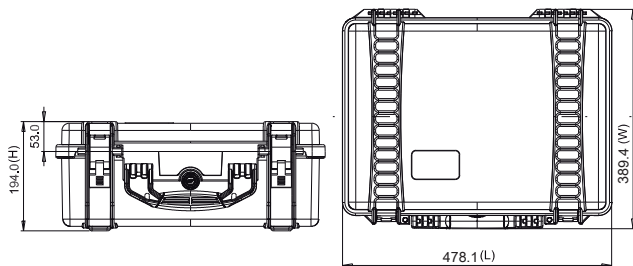
3,08kg - 6.79lbs

#### Temperature rating:

Minimum            Maximum  
-40°C -40°F        +80°C +176°F



### TECHNICAL DRAWINGS



**Plaber S.r.l. a socio unico - HPRC cases**  
Via Div. Tridentina, 10  
I- 36061 Bassano del Grappa (Vicenza)  
Ph. +39 0424 809150  
[www.hprc.it](http://www.hprc.it)

USA office and warehouse  
**Plaber America Inc. - HPRC USA**  
110 Chestnut Ridge Rd. #314  
Montvale, NJ 07645  
Ph. +1 (201) 989-3353  
[www.hprcusa.com](http://www.hprcusa.com)

Get in touch  
[info@plaber.com](mailto:info@plaber.com)



**APPROVALS**  
ATA 300  
IP67  
STANAG 4280  
DS 81-41

**TESTS**  
DROP  
IMPACT  
HANDLE  
WATERTIGHT INTEGRITY  
UV COLOR AND MATERIAL PROTECTION