



*plaber*®

SPECIAL CASES 2019

We are HPRC. We don't just design and manufacture watertight hard protective cases, we supply carrying solutions. And solutions need to be no-hassle and tailored to your needs.

This is why in Autumn 2013 we designed our first case with a foam specially cut to house the DJI Phantom 1.

Now, almost 6 years later, we are a leading manufacturer of custom cases for drones, gimbals, camcorders and cameras but we feel we are still at the beginning: more is yet to come.

H P R C C A S E S  
**MADE IN ITALY**  
MANUFACTURED

## HPRC VECTOR PANEL

The new protective layer system designed for your Tuning case



Made of special PVC based compound, the Vector Panel ensures:

- foam long-last durability and integrity;
- improved protection for the equipment;
- dedicated item slots, suitably marked, avoiding lost tools;
- easy and quick organization of the case;
- savings in space and time;
- professional design and presentation.



The system significantly increases the overall performance and efficiency of the case in any kind of environment, weather conditions and temperature.



DJI

SPECIAL CASES 2019

# PHA4-2710-01

## HPRC2710PHA4



- 1 DJI Phantom 4 / Pro / 4 Pro + with Props On / 4 V2.0
- 2 Cables / Miscellaneous
- 3 3 x Filters
- 4 Charger + Cables
- 5 2 x Kits of Spare Props
- 6 Spare Battery
- 7 Spare Battery / Miscellaneous Accessories
- 8 Complimentary HPRC1100 for 8 MicroSD Cards
- 9 Ipad Air / Tablet up to 10"
- 10 Controller Monitor Hood for Tablets / Instructions
- 11 Remote Controller
- 12 Cables
- 13 Small Tools

suitable for v 2.0 low noise propellers



### Dimension:

#### internal dimension

555x459x256(mm) - 21.85x18.07x10.08(in)

#### external dimension

617x525x280(mm) - 24.29x20.67x11.02(in)



lid: 45(mm) - 1.77(in) bottom: 211(mm) - 8.30(in)

### Weight:

7.75kg - 17.08lbs

### Temperature rating:

Minimum  
-40°C -40°F

Maximum  
+80°C +176°F

# PHA4-2700W-01

## HPRC2700WPHA4



- 1 DJI Phantom 4 / Phantom 4 Pro / Phantom 4 Pro + with Props On
- 2 Cables / Miscellaneous
- 3 3 x Filters
- 4 Charger + Cables
- 5 2 x Kits of Spare Props
- 6 Spare Battery
- 7 Spare Battery / Miscellaneous Accessories
- 8 Complimentary HPRC1100 for 8 MicroSD Cards
- 9 Ipad Air / Tablet up to 10"
- 10 Controller Monitor Hood for Tablets / Instructions
- 11 Remote Controller
- 12 Cables
- 13 Small Tools



suitable for v 2.0 low noise propellers

HPRC DJI PHANTOM 4



**Dimension:** **internal dimension**  
555x460x256(mm) - 21.85x18.1x10.08(in)  
**external dimension**  
620x525x280(mm) - 24.41x20.67x11.02(in)



**lid:** 46(mm) - 1,81(in) **bottom:** 210(mm) - 8,27(in)

**Weight:** 8.72kg - 19.22lbs

**Temperature rating:** Minimum -40°C -40°F Maximum +80°C +176°F

# HPRC2700W for DJI Phantom 4RTK PHA4RTK-2700W-01



- 1 DjI Phantom 4 RTK
- 2 Intelligent Flight Battery
- 3 Remote Controller
- 4 Ipad Air/Tablet Upto 10"
- 5 Hprc1100 For 8 Microsd Cards
- 6 Charging Hub for WB37
- 7 Battery WB37
- 8 Charging Hub for Int.flight Battery
- 9 Miscellaneous Accessories
- 10 Propellers

suitable for v 2.0 low noise propellers

## TECHNICAL FEATURES

### Dimension:

Internal dimension  
550x460x316(mm) - 21.65x18.11x 12.44(in)  
External dimension  
620x520x350(mm) - 24.41x20.47x13.78(in)

### Weight:

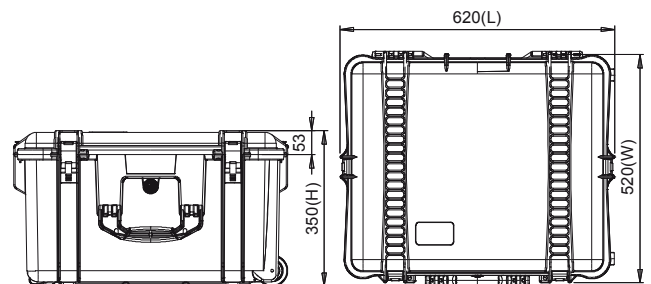
9,40 KG – 20.72 lbs

### Temperature rating:

Minimum Maximum  
-40°C -40°F +80°C +176°F



## TECHNICAL DRAWING



# HPRC6500W for DJI D-RTK 2

## DRTK6500W-01



HPRC DJI D-RTK 2



- 1** D-RTK 2 Body
- 2** Accessories Box (Mobile Phone Holder; Charging Hub, Intelligent Battery, Battery Cover, Ac Power Adapter\Cable etc)
- 3** Extention Rod
- 4** Tripod

### TECHNICAL FEATURES

**Dimension:**

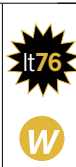
Internal dimension  
1281x279x243(mm) - 50.43x10.98x9.57(in)  
External dimension  
1330x335x285(mm) - 52.36x13.19x11.22(in)

**Weight:**

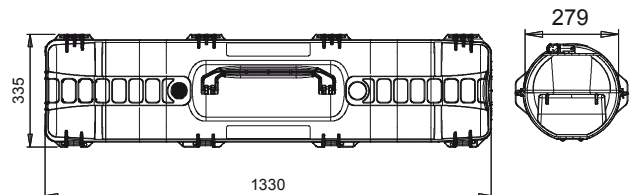
7,20kg - 15.87lbs

**Temperature rating:**

Minimum Maximum  
-40°C -40°F +80°C +176°F



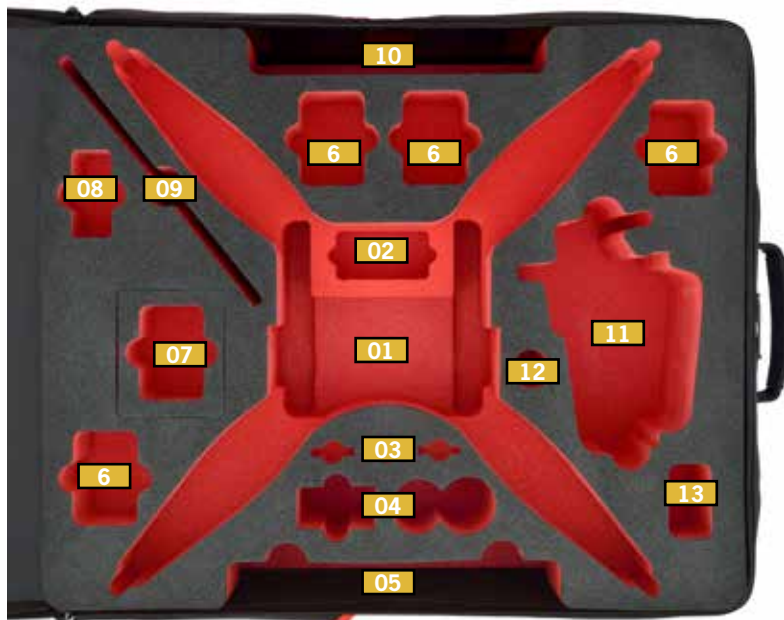
### TECHNICAL DRAWING





# PHA4-BAG27-01

## HPRCDROALPHA4



- 01 DJI Phantom 4 / Phantom 4 Pro / Phantom 4 Pro + with Props On
- 02 Cables / Miscellaneous
- 03 3 x Filters
- 04 Charger + Cables
- 05 2 x Kits of Spare Props
- 06 Spare Battery
- 07 Spare Battery / Miscellaneous Accessories
- 08 Complimentary HPRC1100 for 8 MicroSD Cards
- 09 Ipad Air / Tablet up to 10"
- 10 Controller Monitor Hood for Tablets / Instructions
- 11 Remote Controller
- 12 Cables
- 13 Small Tools

**suitable for v 2.0 low noise propellers**



**Dimension:** external dimension  
560x470x235(mm) - 22.05x18.50x9.25(in)

**Weight:** 2.30kg - 5.07lbs

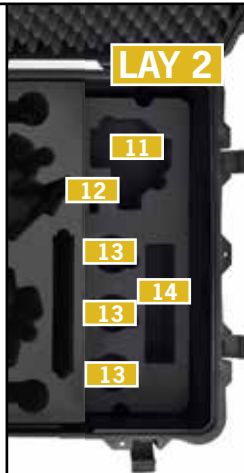
# HPRC INS2-2780W-02



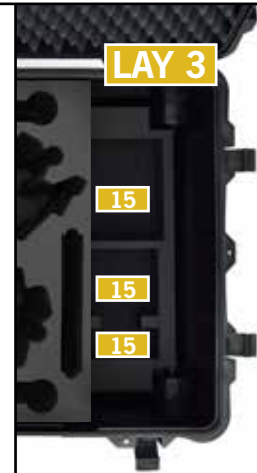
HPRC DJI INSPIRE 2



- 1** DJI Inspire 2 in Landing Mode with Gimbal X7 Attached
- 2** Transmitter (Radio Controller)
- 3** Spare Flight Battery
- 4** Crystal Monitor 7.85"
- 5** Cendence Remote Controller
- 6** SSD
- 7** Charger
- 8** Filters
- 9** Props + Spare Props
- 10** Charging Hub



- 11** Gimbal
- 12** Gimbal's Lid
- 13** Lens
- 14** Cables / Miscellaneous



- 15** Miscellaneous / Small Accessories

## TECHNICAL FEATURES

### Dimension:

Internal dimension  
749x525x366(mm) - 29.49x20.67x14.41(in)  
External dimension  
810x586,5x388(mm) - 31.89x23.09x15.28(in)

### Weight:

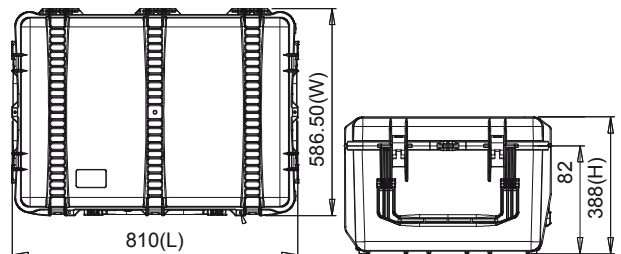
with foam: 14.30kg - 31.52lbs

### Temperature rating:

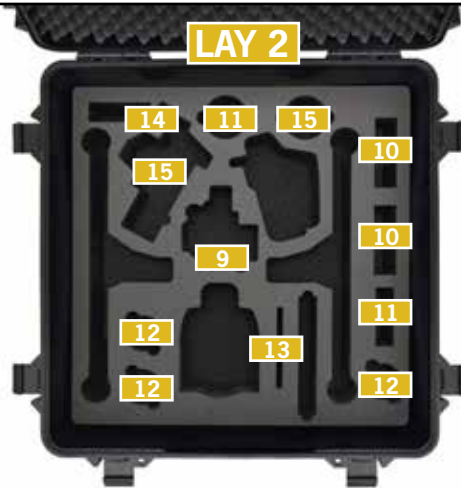
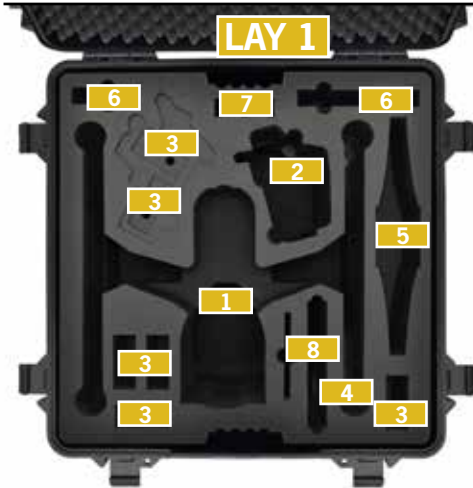
Minimum            Maximum  
-40°C -40°F        +80°C +176°F



## TECHNICAL DRAWING



# HPRC INS2-4600W-02



- 1** DJI Inspire 2 in Landing Mode with Gimbal X7 Attached
- 2** Standard Radio Controller
- 3** Spare Flight Battery
- 4** Ipad Mini / Tablet up to 7.9"
- 5** Props + Spare Props
- 6** Charger
- 7** SSD
- 8** CrystalSky 7.85"

- 9** Gimbal
- 10** Battery
- 11** Cables / Miscellaneous
- 12** Lens
- 13** Crystal Monitor
- 14** Charging Hub
- 15** Cendence Remote Controller



HPRC DJI INSPIRE 2

## TECHNICAL FEATURES

### Dimension:

Internal dimension  
611x611x345(mm) - 24.05x24.05x13.58(in)  
External dimension  
670x677x388.5(mm) - 26.38x26.65x15.3(in)

### Weight:

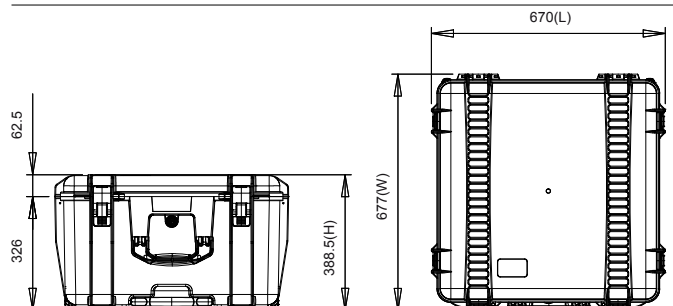
with foam: 14.30kg - 31.52lbs

### Temperature rating:

Minimum                      Maximum  
-40°C -40°F                      +80°C +176°F



## TECHNICAL DRAWING

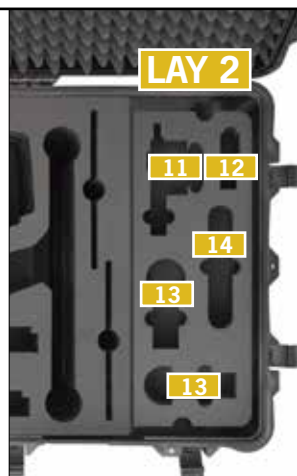
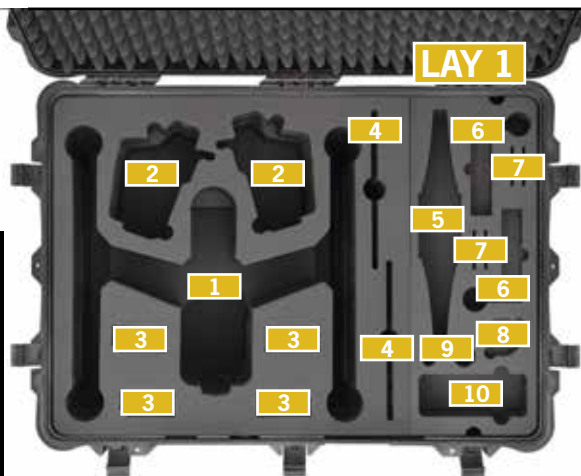


# INS2780W-01

## HPRC2780WINS



HPRC DJI INSPIRE 1



- 1** DJI Inspire 1 - DJI Inspire 1 Pro/RAW with Gimbal Attached
- 2** Transmitter (Radio Controller)
- 3** Spare Flight Battery
- 4** Ipad Air / Tablet up to 10"
- 5** 8-10 Spare Props
- 6** Charger
- 7** 2 x Filters
- 8** Spare Micro Four Thirds Lens
- 9** Cables
- 10** DJI Osmo (without Gimbal)

- 11** DJI Focus
- 12** DJI Focus Brushless Motor
- 13** Spare Flight Battery OR X3 Gimbal
- 14** Cables / Miscellaneous

- 15** Miscellaneous
- 16** DJI Battery Charging Hub
- 17** Small Accessories / Miscellaneous

### TECHNICAL FEATURES

#### Dimension:

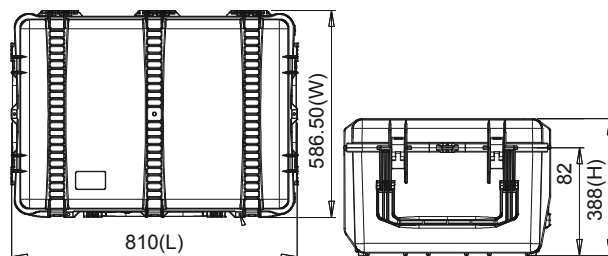
Internal dimension  
749x525x366(mm) - 29.49x20.67x14.41(in)  
External dimension  
810x586,5x388(mm) - 31.89x23.09x15.28(in)

#### Weight:

with foam: 12,5kg - 27.55lbs



### TECHNICAL DRAWING



#### Temperature rating:

Minimum -40°C -40°F      Maximum +80°C +176°F

# HPRC M100-4600W-01



- 1 Dji Matrice 100 with assembled guidance
- 2 6 x Spare Batteries
- 3 Zenmuse X5 / X3 Gimbal
- 4 Battery Charger
- 5 Propellers
- 6 Remote Controller
- 7 Miscellaneous / Small Accessories



HPRC DJI MATRICE 100

## TECHNICAL FEATURES

### Dimension:

internal dimension  
611x611x345(mm) - 24.05x24.05x13.58(in)  
external dimension  
670x677x388.5(mm) - 26.38x26.65x15.3(in)

### Weight:

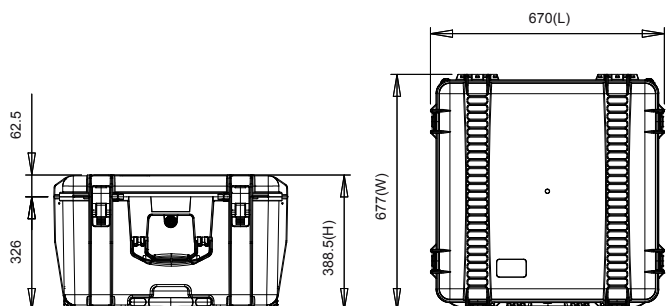
empty: 9,9kg - 21.83lbs

### Temperature rating:

Minimum            Maximum  
-40°C -40°F        +80°C +176°F



## TECHNICAL DRAWING



# HPRC M210-4600W-02



**dji**  
MATRICE 200/210  
+2 gimbals  
mounted  
Landing Mode



LAY 1



LAY 2





LAY 1



LAY 2

- 1** Dji Matrice 200 or 210 +2 gimbals mounted Landing Mode with 1 Gimbal Connector, 2 cameras, 2 GPS kit, 2 batteries (x 2 TB50 or x 2 TB55) mounted
- 2** Cendence Remote Controller
- 3** Cendence Remote Controller
- 4** CrystalSky Battery (WB37)
- 5** Charging Hub for CrystalSky (WCH2)
- 6** CrystalSky 7.85"
- 7** Charging Hub (IN2)
- 8** x 2 batteries TB50 or x 1 battery TB55
- 9** Battery Charger
- 10** x 4 Propellers Pair

- 11** x 2 batteries TB50 or x 1 battery TB55
- 12** Small Accessories



## TECHNICAL FEATURES

### Dimension:

internal dimension  
611x611x345(mm) - 24.05x24.05x13.58(in)  
external dimension  
670x677x388.5(mm) - 26.38x26.65x15.3(in)

### Weight:

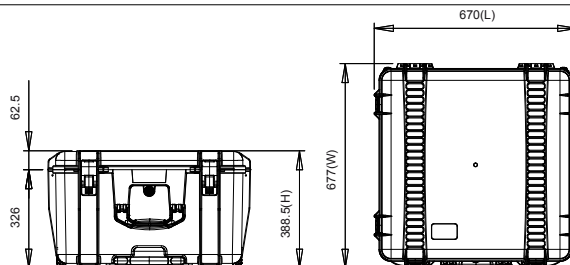
empty: 9,9kg - 21.83lbs

### Temperature rating:

Minimum Maximum  
-40°C -40°F +80°C +176°F



## TECHNICAL DRAWING



# HPRC M210-4600W-03

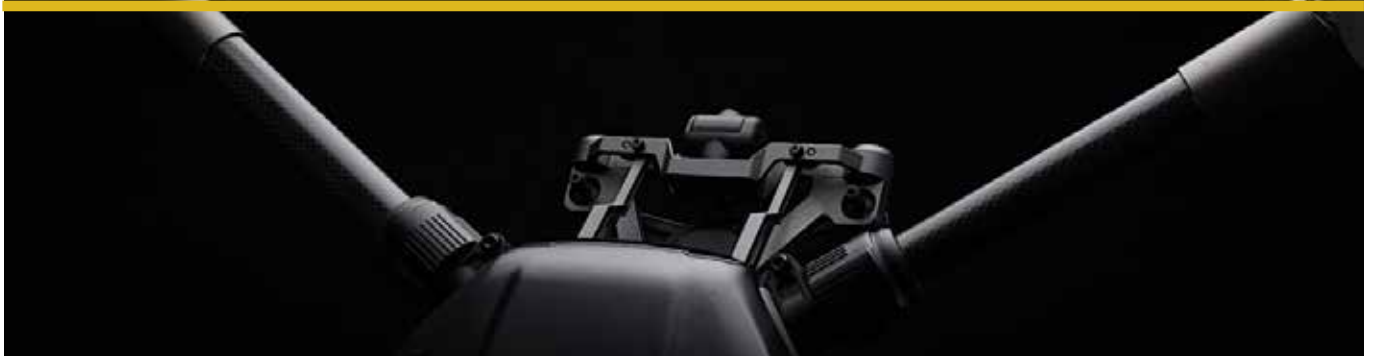


LAY 1

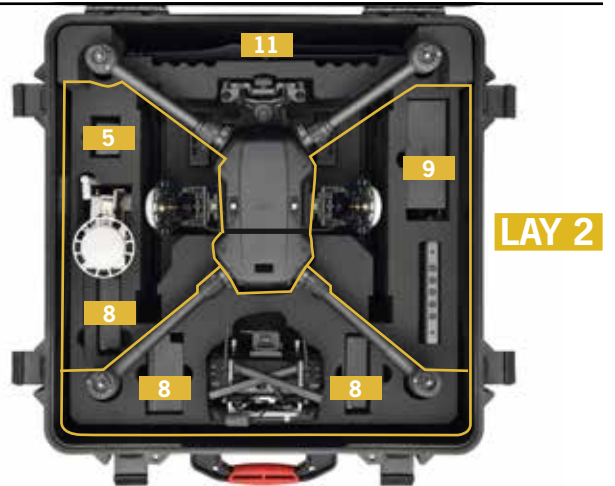
LAY 2







LAY 1



LAY 2

- 1** Dji Matrice 200/210RTK antenna kit Landing Mode with 2 GPS RTK kit, 2 batteries (x 2 TB50 or x 2 TB55) mounted
- 2** D-RTK Ground System Kit
- 3** Cendence Remote Controller with patch antenna
- 4** CrystalSky Battery (WB37)
- 5** Charging Hub for CrystalSky (WCH2)
- 6** Crystalsky 7.85" with DJI monitor hood attached
- 7** Charging Hub (IN2)
- 8** Battery TB50 or battery TB55
- 9** Battery Charger
- 10** Small Accessories

- 11** x 4 Propellers Pair



HPRC DJI MATRICE 210 RTK

## TECHNICAL FEATURES

### Dimension:

internal dimension  
611x611x345(mm) - 24.05x24.05x13.58(in)  
external dimension  
670x677x388.5(mm) - 26.38x26.65x15.3(in)

### Weight:

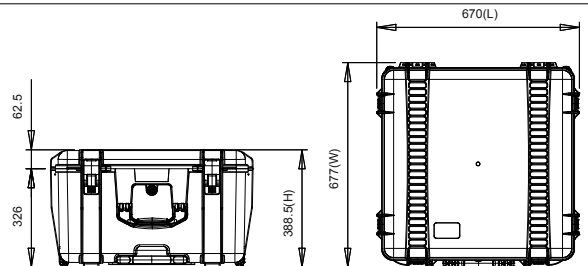
empty: 9,9kg - 21.83lbs

### Temperature rating:

Minimum                      Maximum  
-40°C -40°F                      +80°C +176°F



## TECHNICAL DRAWING





# HPRC MAV2400BLK-02



HPRC  
MAV2400BLU-02



HPRC  
MAV2400RED-02



- 1** Dji Mavic 2 (Intelligent Flight Battery And Gimbal Protector Included)
- 2** Propellers
- 3** Usb Adapter
- 4** Little Accessories
- 5** Remote Controller
- 6** Intelligent Flight Batteries
- 7** Battery Charger
- 8** Battery Charging Hub
- 9** Battery to Power Bank Adapter
- 10** Cables



HPRC DJI MAVIC 2

## TECHNICAL FEATURES

### Dimension:

internal dimension  
380x266x152(mm) - 14.96x10.47x5.98(in)  
external dimension  
405x330x170(mm) - 15.94x12.99x6.69(in)

### Weight:

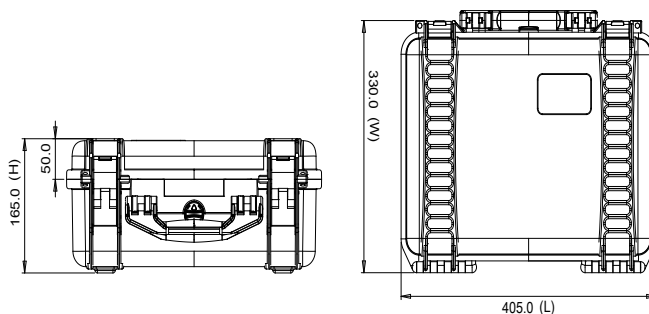
2,38kg - 5.25lbs

### Temperature rating:

Minimum Maximum  
-40°C -40°F +80°C +176°F



## TECHNICAL DRAWING



# HPRC MAV3500BLK-02



- 1** DJI Mavic 2 (Intelligent Flight Battery and Gimbal Protector Included)
- 2** Remote Controller
- 3** Intelligent Flight Batteries
- 4** Battery charger
- 5** Usb Adaptor
- 6** Mavic 2 Car Charger
- 7** Propellers
- 8** Battery Charging Hub
- 9** Battery to Power Bank Adaptor
- 10** Cables

## TECHNICAL FEATURES

### Dimension:

internal dimension  
433x319x169(mm) - 17.05x12.56x6.65(in)  
external dimension  
498x370x185(mm) - 19.61x14.57x7.28(in)

### Weight:

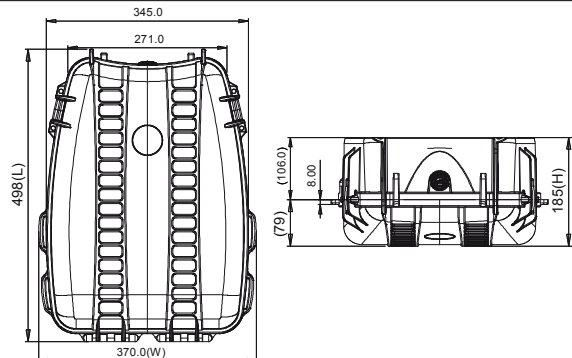
3,55kg - 7.82lbs

### Temperature rating:

Minimum Maximum  
-40°C -40°F +80°C +176°F



## TECHNICAL DRAWING



# HPRC MAVBAG35-02



- 1 Dji Mavic 2 (Intelligent Flight Battery and Gimbal Protector Included)
- 2 Remote Controller
- 3 Intelligent Flight Batteries
- 4 Battery charger
- 5 Usb Adaptor
- 6 Mavic 2 Car Charger
- 7 Propellers
- 8 Battery Charging Hub
- 9 Battery to Power Bank Adapter
- 10 Cables

## TECHNICAL FEATURES

### Dimension:

internal dimension  
433x319x169(mm) - 17.05x12.56x6.65(in)  
external dimension  
498x370x185(mm) - 19.61x14.57x7.28(in)



# HPRC SPK2300BLK-01

FLY MORE COMBO



# HPRC SPK2300YEL-01

FLY MORE COMBO



# HPRC SPK2300BLU-01

FLY MORE COMBO



# HPRC SPK2300RED-01

FLY MORE COMBO



HPRC DJI SPARK



- 1 DJI Spark Fly More Combo (Props Attached)
- 2 Batteries (1 Installed in Spark)
- 3 Remote Controller
- 4 Charging Hub
- 5 Power Supply
- 6 Power Plug\*
- 7 Spare Props
- 8 Accessory Cavity\ Battery Charging Hub
- 9 Props Guards / Miscellaneous



## TECHNICAL FEATURES

### Dimension:

internal dimension  
304x231x137(mm) - 11.97x9.09x5.39(in)  
external dimension  
335x289x155(mm) - 13.19x11.38x6.10(in)

### Weight:

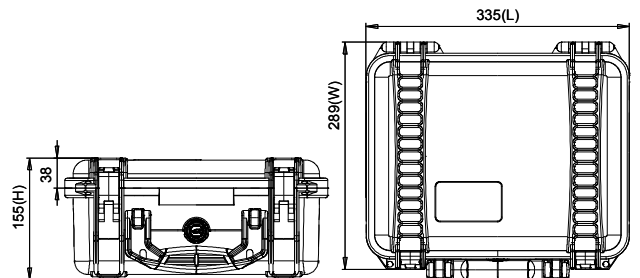
1,90kg - 4.19lbs

### Temperature rating:

Minimum            Maximum  
-40°C -40°F        +80°C +176°F



## TECHNICAL DRAWING



# HPRC SPKBAG35-01

FLY MORE COMBO



\*model height 180cm / 5.11 feet



- 1 DJI Spark Fly more Combo (Props Attached)
- 2 Batteries (1 Installed in Spark)
- 3 Remote Controller
- 4 Charging Hub
- 5 Power Supply/Variou
- 6 Battery Charging Hub
- 7 Spare Props
- 8 Props Guards\ Miscellaneous

## TECHNICAL FEATURES

### Dimension:

internal dimension  
433x319x169(mm) - 17.05x12.56x6.65(in)

external dimension  
498x370x185(mm) - 19.61x14.57x7.28(in)

### Weight:

3,55kg - 7.82lbs



HPRC DJI SPARK

# HPRC CEN2460-02



for DJI CENDENCE remote controller



- 1 Cendence Remote Controller
- 2 CrystalSky 7.85"
- 3 Battery Charger
- 4 Charging hub for CrystalSky
- 5 CrystalSky Battery



HPRC DJI CENDENCE

## TECHNICAL FEATURES

### Dimension:

internal dimension 409x306x175(mm) - 16.10x12.05x6.89(in)  
external dimension 434x371x193(mm) - 17.09x14.61x7.60(in)

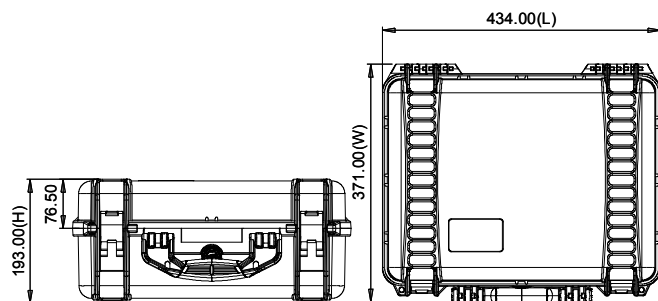


### Weight:

empty: 2,60kg - 5.73lbs  
with foam: 3,14kg - 6.92lbs

### Temperature rating:

Minimum Maximum  
-40°C -40°F +80°C +176°F





# HPRC1400 for DJI OSMO POCKET OSMPKT-1400-01



- 1** DJI Osmo Pocket
- 2** Accessories / Power Cable
- 3** SD Card Rack
- 4** Smartphone adapters

HPRC DJI OSMO POCKET

## TECHNICAL FEATURES

### Dimension:

internal dimension  
180x110x40(mm) - 7,08x4,33x1,57(in)  
external dimension  
200x142x48(mm) - 7,87x5,59x1,88(in)

### Weight:

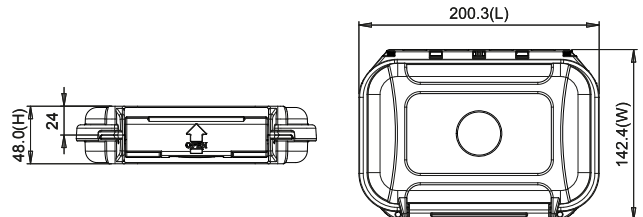
empty: 0,60kg - 1,32lbs

### Temperature rating:

Minimum Maximum  
-40°C -40°F +80°C +176°F



## TECHNICAL DRAWING



# HPRC GGG-2460-01



- 1 Headband
- 2 Dji Goggles Body
- 3 Cables / Miscellaneous Accessories
- 4 Eu Charger
- 5 Uk Charger

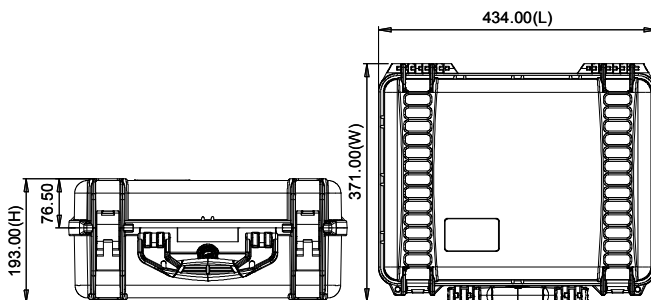
HPRC DJI GOGGLES

## TECHNICAL FEATURES

**Dimension:**  
 internal dimension 409x306x175(mm) - 16.10x12.05x6.89(in)  
 external dimension 434x371x193(mm) - 17.09x14.61x7.60(in)

**Weight:**  
 empty: 2,60kg - 5.73lbs  
 with foam: 3,14kg - 6.92lbs

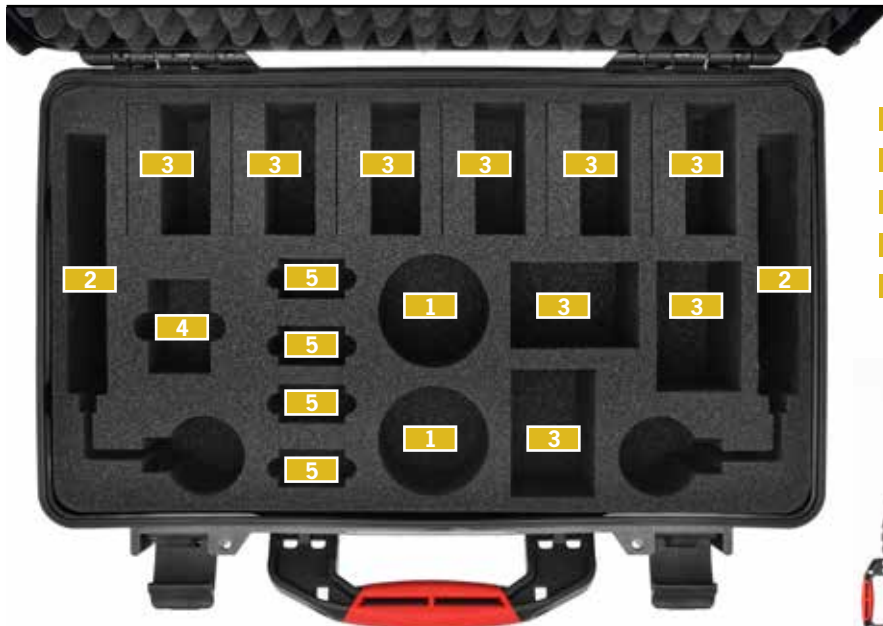
**Temperature rating:**  
 Minimum Maximum  
 -40°C -40°F +80°C +176°F



# HPRC BAT-2550W-02



BATTERY FOR DJI M200 / M210



- 1 Charging Hub
- 2 Battery Charger
- 3 Battery TB50 or TB55
- 4 Charging Hub for CristalSky (WCH2)
- 5 CrystalSky Battery (WB37)



## TECHNICAL FEATURES

### Dimension:

internal dimension  
513x288x200(mm) - 20.19x11.34x7.87(in)  
external dimension  
549x346x236(mm) - 21.61x13.62x9.29(in)

### Weight:

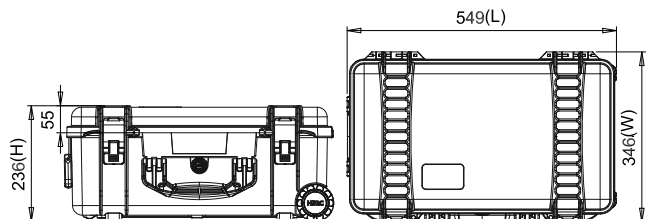
empty: 4.35kg - 9.57lbs

### Temperature rating:

Minimum            Maximum  
-40°C -40°F        +80°C +176°F



## TECHNICAL DRAWING



# BAT2400-02

## PHANTOM/INSPIRE BATTERY CASE

New HPRC2400 with customized foam can hold until 6 spare batteries for DJI Phantom 4 or DJI Inspire 1 or 2. The pre cutted foam could have the following internal layout:



- 6 batteries Inspire 1 or 2
- Charger for Inspire 100W or Charger for Inspire 180W



- 6 batteries for Phantom 4
- Charger for Phantom 4



- 3 batteries for Phantom 4
- + 3 batteries for Inspire 1 or 2
- Charger for Phantom or Charger for Inspire 1 or 2

- 1** Battery
- 2** Charger + Cables



HPRC DJI BATTERY CASES

### TECHNICAL FEATURES

#### Dimension:

internal dimension 380x266x152(mm) - 14.96x10.47x5.98(in)  
external dimension 405x330x170(mm) - 15.94x12.99x6.69(in)

lid: 45(mm) - 1.77(in) bottom: 107(mm) - 4.21(in)

#### Weight:

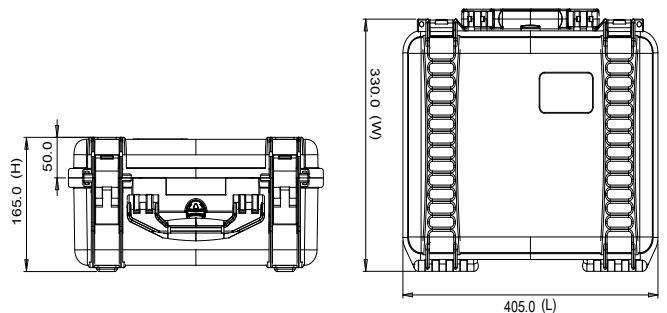
2,38kg - 5.25lbs

#### Temperature rating:

Minimum Maximum  
-40°C -40°F +80°C +176°F



### TECHNICAL DRAWING



# HPRC BAT-2550W-01



- 1 Battery TB50
- 2 Charger Hub
- 3 Battery Charger
- 4 Miscellaneous



## TECHNICAL FEATURES

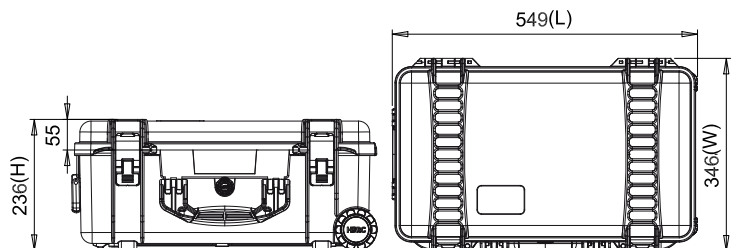
**Dimension:**  
 internal dimension  
 513x288x200(mm) - 20.19x11.34x7.87(in)  
 external dimension  
 549x346x236(mm) - 21.61x13.62x9.29(in)

**Weight:**  
 empty: 4.35kg - 9.57lbs

**Temperature rating:**  
 Minimum      Maximum  
 -40°C -40°F      +80°C +176°F



## TECHNICAL DRAWING



**HPRC** | RONIN-S



# HPRC ROS2500-01



FOR DJI RONIN-S



- 1 Gimbal with Focus Wheel
- 2 Extended Grip/Tripod
- 3 Camera Mounting Plate
- 4 24W Usb Power Adapter
- 5 BG37 Grip x 2
- 6 Accessories Box

## TECHNICAL FEATURES

### Dimension:

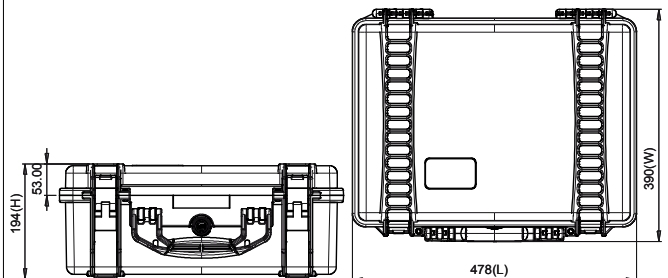
internal dimension 450x323x175(mm) - 17.72x12.72x6.89(in)  
external dimension 478x390x194(mm) - 18.82x15.35x7.64(in)

### Weight:

3,71kg - 8.18lbs

### Temperature rating:

Minimum Maximum  
-40°C -40°F +80°C +176°F



# HPRC ROS2550W-01



FOR DJI RONIN-S



- 1 Gimbal with Focus Wheel
- 2 Extended Grip/Tripod
- 3 Camera Mounting Plate
- 4 24W Usb Power Adapter
- 5 BG37 Grip x 3
- 6 Accessories Box
- 7 Lens
- 8 Panasonic Gh5 / Sony Alpha 7 camera body

## TECHNICAL FEATURES

### Dimension:

internal dimension  
513x288x200(mm) - 20.19x11.34x7.87(in)  
external dimension  
549x346x236(mm) - 21.61x13.62x9.29(in)

### Weight:

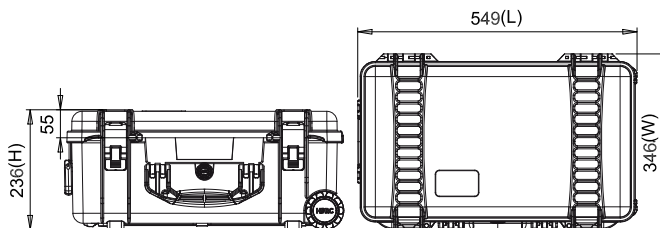
empty: 4.35kg - 9.57lbs

### Temperature rating:

Minimum            Maximum  
-40°C -40°F        +80°C +176°F



## TECHNICAL DRAWING





# HPRC ROS3500-01



FOR DJI RONIN-S



- 1 Gimbal with Focus Wheel
- 2 Extended Grip/Tripod
- 3 Camera Mounting Plate
- 4 24W Usb Power Adapter
- 5 BG37 Grip x 2
- 6 Accessories Box

## TECHNICAL FEATURES

### Dimension:

internal dimension  
433x319x169(mm) - 17.05x12.56x6.65(in)  
external dimension  
498x370x185(mm) - 19.61x14.57x7.28(in)

### Weight:

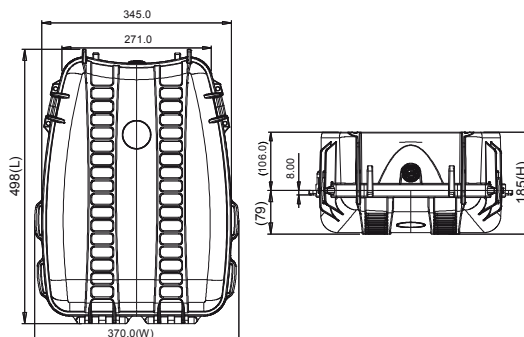
3,55kg - 7.82lbs

### Temperature rating:

Minimum            Maximum  
-40°C -40°F        +80°C +176°F



## TECHNICAL DRAWING





# RMX2730W-01



- 1 DJI Ronin-MX Transmitter (Controller)
- 2 DJI Ronin-MX Gimbal
- 3 4x Spare Batteries
- 4 2x Charger
- 5 2x Side Handles
- 6 Top Handle Bar
- 7 Tuning Stand
- 8 Camera Mounting Plate



## TECHNICAL FEATURES

**Dimension:**  
 internal dimension 509x460x316(mm) - 20.04x18.11x12.44(in)  
 external dimension 620x520x350(mm) - 24.41x20.47x13.78(in)

lid: 45(mm) - 1.77(in) bottom: 271(mm) - 10.66(in)

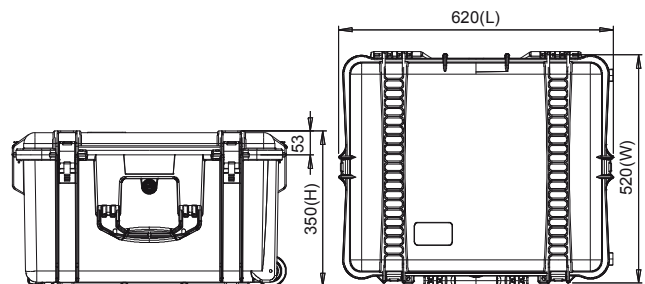
**Weight:**  
 empty: 7,55kg - 16.64lbs  
 with cubed foam: 10,43kg - 22.99lbs

**Temperature rating:**  
 Minimum Maximum  
 -40°C -40°F +80°C +176°F

**Colors:**  
 Black



## TECHNICAL DRAWING



HPRC DJI RONIN-MX

# HPRC RONIN2-2780W-01



- 1** Gimbal with camera and 2 batteries attached
- 2** TB50 Intelligent Battery
- 3** Remote controller
- 4** Lower Ronin 2 Ring
- 5** Accessories Package
- 6** Upper Ronin 2 Ring with grip mounted

- 7** Cables
- 8** Motion Block
- 9** Top Mountain Block
- 10** Camera Base Plate
- 11** 15mm Focus Rod Mount
- 12** Quad Charging Hub
- 13** Universal Mount
- 14** Camera Top Cross Bar
- 15** Accessories Mount
- 16** 15mm Rod
- 17** Battery Charger

## TECHNICAL FEATURES

### Dimension:

Internal dimension  
749x525x366(mm) - 29.49x20.67x14.41(in)  
External dimension  
810x586,5x388(mm) - 31.89x23.09x15.28(in)



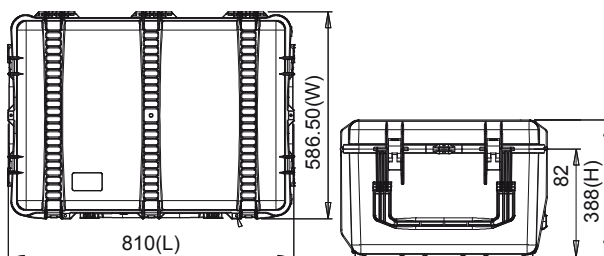
### Weight:

with foam: 13,6kg - 29,9lbs

### Temperature rating:

Minimum Maximum  
-40°C -40°F +80°C +176°F

## TECHNICAL DRAWING



# ROM2700W-01

## HPRC2700WROM



- 1** Ronin-M Transmitter (Controller)
- 2** Ronin-M Gimbal
- 3** 2x Side Handles
- 4** Cables/Screws/Small Accessories
- 5** Top Handle Bar
- 6** Cables/Screws/Accessories
- 7** Tuning Stand
- 8** 3x Spare Batteries
- 9** 2x Charger
- 10** Camera Mounting Plate
- 11** 7" Field Monitor



HPRC DJI RONIN-M TRANS.



### Dimension:

#### internal dimension

555x460x256(mm) - 21,85x18,1x10,08(in)

#### external dimension

620x520x275(mm) - 24,41x20,47x10,83(in)

lid: 46(mm) - 1,81(in) bottom: 210(mm) - 8,27(in)

### Weight:

empty: 7,55kg - 16,65lbs

with foam: 8,68 KG / 19,14lbs

### Temperature rating:

Minimum  
-40°C -40°F

Maximum  
+80°C +176°F







HPRC<sup>®</sup>  
TUNING

plaber<sup>®</sup>





Atomos

SPECIAL CASES 2019



# HPRC2300 for Atomos Ninja V

## NJAV-2300-01



- 1** Ninja Atomos V with AtomX SSD mini and Battery mounted
- 2** Ninja V Sunhood
- 3** Battery
- 4** 12V-3A AC Power Supply
- 5** Cables/Miscellaneous
- 6** 3 Master Caddy II
- 7** Lector docking station USB-C 3.1
- 8** Battery Eliminator
- 9** Power kit Atomos

### TECHNICAL FEATURES

**Dimension:**

Internal dimension  
304x231x137(mm) - 11.97x9.09x5.39(in)  
External dimension  
335x289x155(mm) - 13.19x11.38x6.10(in)

**Weight:**

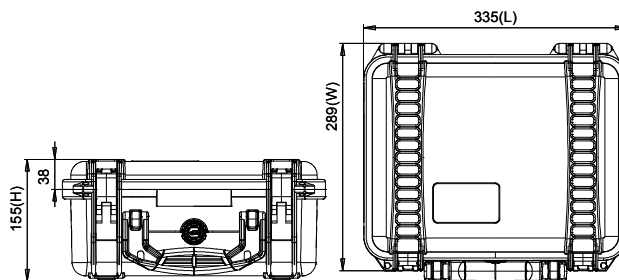
1,90kg - 4.19lbs

**Temperature rating:**

Minimum Maximum  
-40°C -40°F +80°C +176°F



### TECHNICAL DRAWING



# HPRC2730W for Atomos Sumo19

## SM19-2730W-01



- 1** Atomos Sumo 19" Monitor Recorder
- 2** Atomos Sunhood

- 3** Charger
- 4** 3 Master caddy II
- 5** DM-130A Gold Mount Mini Battery or similar
- 6** D-4BA Battery Extender or similar

### TECHNICAL FEATURES

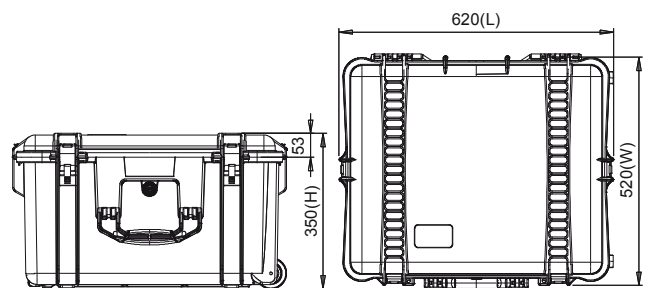
**Dimension:**  
 internal dimension 509x460x316(mm) - 20.04x18.11x12.44(in)  
 external dimension 620x520x350(mm) - 24.41x20.47x13.78(in)  
 lid: 45(mm) - 1.77(in) bottom: 271(mm) - 10.66(in)

**Weight:**  
 empty: 7,55kg - 16.64lbs  
 with cubed foam: 10,43kg - 22.99lbs

**Temperature rating:**  
 Minimum -40°C -40°F      Maximum +80°C +176°F

**Colors:**  
 Black

### TECHNICAL DRAWING





HPRC 2730W

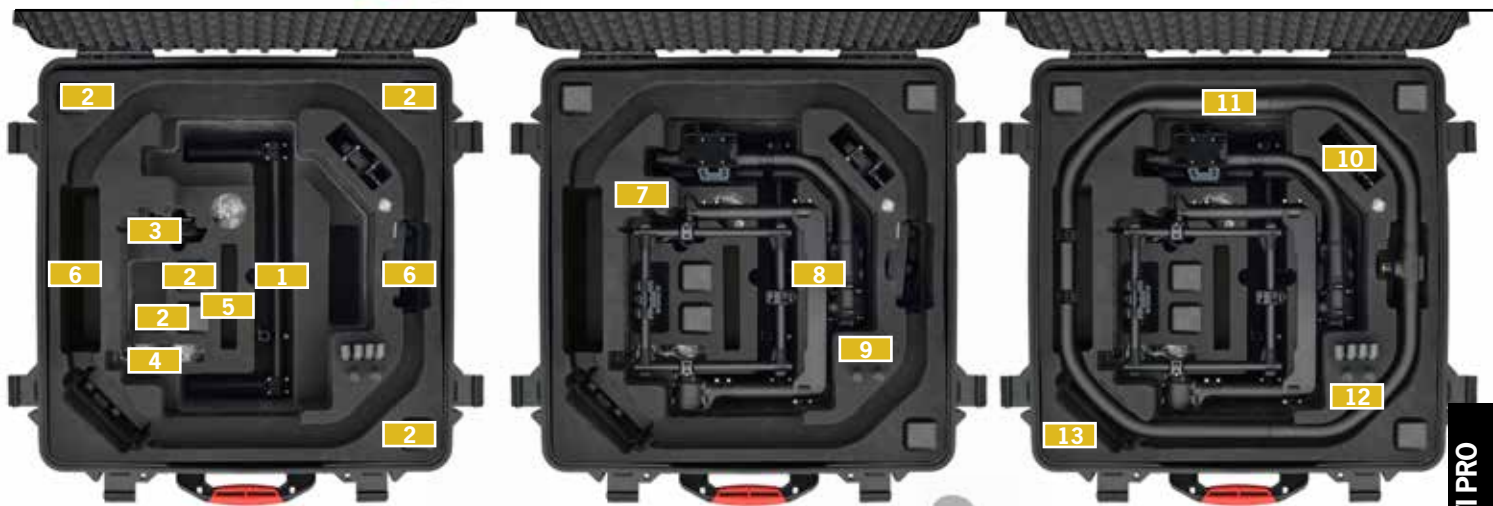
SUM019



**FREEFLY**

**SPECIAL CASES 2019**

# HPRC FFS-4600W-02



- 1** Mimic / Classic Handle
- 2** Battery
- 3** Mimic Antenna
- 4** Rolls
- 5** Miscellaneous
- 6** MōVI Ring Pro with mounted feet

- 7** Cables
- 8** Main Gimbal
- 9** Plastic rings for MōVI Ring Pro

- 10** MōVI Pro Low Profile Handle
- 11** MōVI Ring Pro with mounted feet
- 12** Freefly Hex Driver - 2.0+2.5MM
- 13** Battery Charger



## TECHNICAL FEATURES

### Dimension:

Internal dimension  
611x611x345(mm) - 24.05x24.05x13.58(in)  
External dimension  
670x677x388.5(mm) - 26.38x26.65x15.3(in)

### Weight:

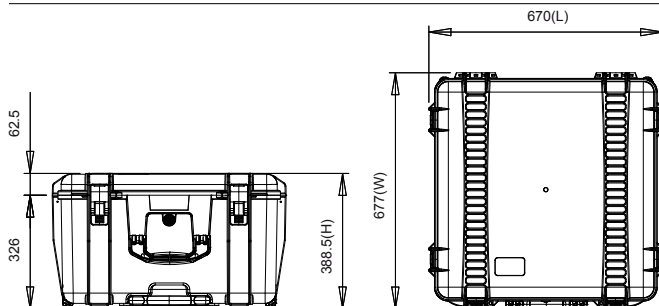
with foam: 14.30kg - 31.52lbs

### Temperature rating:

Minimum Maximum  
-40°C -40°F +80°C +176°F



## TECHNICAL DRAWING





**YUNEEC**

**SPECIAL CASES 2019**

# TYH-4600W-01



- 1 Yuneec Typhoon H
- 2 Spare Battery
- 3 Remote Controller
- 4 2 Kits of Spare Props
- 5 Transformer
- 6 Charger
- 7 Miscellaneous Accessories
- 8 Small Accessories / Cables
- 9 Small Tools
- 10 Sunshade



HIPRC YUNEEC TYPHOON H

## TECHNICAL FEATURES

### Dimension:

internal dimension 611x611x345(mm) - 24.05x24.05x13.58(in)  
 external dimension 670x677x388.5(mm) - 26.38x26.65x15.3(in)

lid: 55.5(mm) - 2.18(in) bottom: 289(mm) - 11.37(in)

### Weight:

12,5kg - 27.55lbs

### Temperature rating:

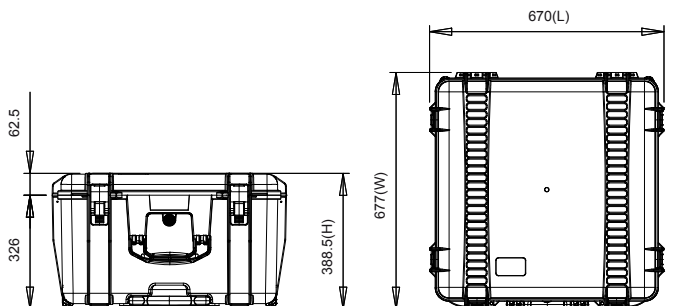
Minimum Maximum  
 -40°C -40°F +80°C +176°F

### Colors:

Black



## TECHNICAL DRAWING





3D Robotics

SPECIAL CASES 2019



# SOL2700W-01

## HPRC2700WSOL



- 1** 3DR Solo with Props on
- 2** 2 Spare Motors
- 3** 2 Kits of Spare Props
- 4** Spare Battery
- 5** Small Accessories / Cables
- 6** GoPro with Housing
- 7** Transformer
- 8** Charger
- 9** Ipad Air / Tablet up to 10"
- 10** 4 GoPro Batteries
- 11** Remote Controller

HPRC 3D ROBOTICS 3DR SOLO



**Dimension:**

**internal dimension**  
555x460x256(mm) - 21,85x18,1x10,08(in)  
**external dimension**  
620x520x275(mm) - 24,41x20,47x10,83(in)



**lid:** 46(mm) - 1,81(in) **bottom:** 210(mm) - 8,27(in)

**Weight:**

**empty:** 7,55kg - 16,65lbs  
**with foam:** 8,68 KG / 19,14lbs

**Temperature rating:**

Minimum                      Maximum  
-40°C -40°F                      +80°C +176°F



Chasing-Innovation

SPECIAL CASES 2019

# HPRC2710 for Gladius Mini GLA2710-01



**CHASING**  
INNOVATION  
GLADIUS MINI

HPRC  
VECTOR PANEL  
INSIDE



LAY 1



LAY 2



- 1** 1 Gladius
- 2** 2 Water Cable + Towel
- 3** 3 Buoyancy weight module
- 4** 4 Controller
- 5** 5 Base station
- 6** 6 Ipad/Iphone Remote Bracket
- 7** 7 Charger

## TECHNICAL FEATURES

### Dimension:

Internal dimension  
555x459x256(mm) - 21.85x18.07x10.08(in)  
External dimension  
617x525x280(mm) - 24.29x20.67x11.02(in)

### Weight:

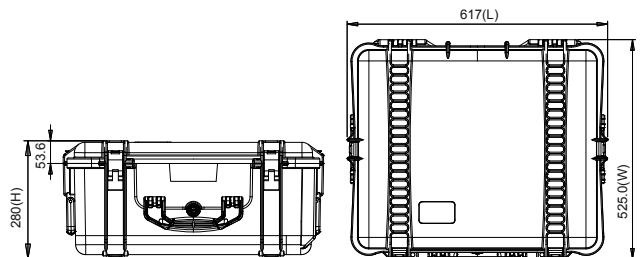
6.71kg - 14.76lbs

### Temperature rating:

Minimum Maximum  
-40°C -40°F +80°C +176°F



## TECHNICAL DRAWING





BLACKMAGIC

SPECIAL CASES 2019

# HPRC URS2730W-03



FOR URSA MINI PRO  
and URSA BROADCAST



- 1 BlackMagic Ursa Mini Pro / Broadcast with shoulder pad and top handle mounted
- 2 Tripod Plate
- 3 Shoulder Mount kit - Rods clamps
- 4 Batteries
- 5 Lens
- 6 Accessories / Cables
- 7 HPRC1100 Memory card holder for CFast/SDHC cards
- 8 Charger standard and Charger SWIT S-3802S



HPRC BLACKMAGIC URSA MINI PRO

## TECHNICAL FEATURES

### Dimension:

internal dimension 509x460x316(mm) - 20.04x18.11x12.44(in)  
external dimension 620x520x350(mm) - 24.41x20.47x13.78(in)

lid: 45(mm) - 1.77(in) bottom: 271(mm) - 10.66(in)

### Weight:

empty: 7,55kg - 16.64lbs  
with cubed foam: 10,43kg - 22.99lbs

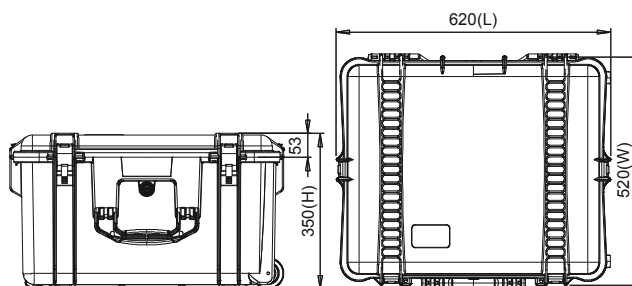
### Temperature rating:

Minimum Maximum  
-40°C -40°F +80°C +176°F

Colors:  
Black



## TECHNICAL DRAWING



# HPRC ADV1-2710-01

Blackmagicdesign 



**1** Blackmagic Design Atem 1 M/E Advanced Panel

HPRC BLACKMAGIC ATEM 1 M/E



**Dimension:**

**internal dimension**

555x459x256(mm) - 21.85x18.07x10.08(in)

**external dimension**

617x525x280(mm) - 24.29x20.67x11.02(in)



**lid:** 45(mm) - 1.77(in) **bottom:** 211(mm) - 8.30(in)

**Weight:**

7.75kg - 17.08lbs

**Temperature rating:**

Minimum  
-40°C -40°F

Maximum  
+80°C +176°F

# HPRC2400 for Blackmagic Pocket Camera 4K PKT2400-01



- 1 Camera Blackmagic Pocket 4K
- 2 Batteries
- 3 Wise Portable 512 GB
- 4 HPRC1100Mem
- 5 30W Power Supply with international adapters
- 6 International adapters
- 7 Lens: Olympus M. Zuiko Digital ED 12-40mm F28 Pro

HPRC BLACKMAGIC UPOCKET 4K

## TECHNICAL FEATURES

### Dimension:

internal dimension  
380x266x152(mm) - 14.96x10.47x5.98(in)  
external dimension  
405x330x170(mm) - 15.94x12.99x6.69(in)

### Weight:

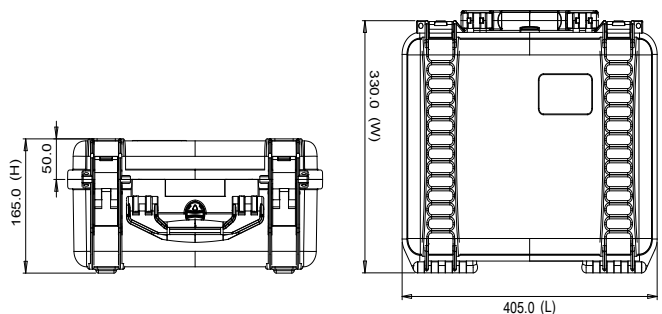
2,38kg - 5.25lbs

### Temperature rating:

Minimum Maximum  
-40°C -40°F +80°C +176°F



## TECHNICAL DRAWING





NIKON

SPECIAL CASES 2019



# HPRC D850-2460-01



for **NIKON D850**



- 1** D850 Camera Body
- 2** Additional EN-EL15a Rechargeable Li-ion Battery
- 3** ME-W1 Wireless Microphone
- 4** ME-1 Stereo Microphone
- 5** Atomos Ninja Flame
- 6** Lenses: AF-S NIKKOR 35mm f/1,8G ED / AF-S NIKKOR 85mm f/1.8G / AF-S NIKKOR 20mm f/1,8G ED
- 7** MH-25A Battery Charger/ UC-E22 USB Cable / Coiled HDMI Cable

HPRC NIKON D850

## TECHNICAL FEATURES

### Dimension:

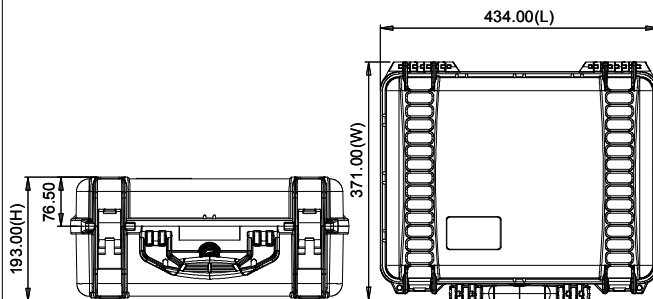
internal dimension 409x306x175(mm) - 16.10x12.05x6.89(in)  
external dimension 434x371x193(mm) - 17.09x14.61x7.60(in)

### Weight:

empty: 2,60kg - 5.73lbs  
with foam: 3,14kg - 6.92lbs

### Temperature rating:

Minimum -40°C -40°F      Maximum +80°C +176°F





PANASONIC

SPECIAL CASES 2019

# HPRC GH52460-01



FOR PANASONIC GH5

HPRC2460 for PANASONIC GH5 is a special edition, designed to safely carry your GH5 Lumix G Series.



- 1 PANASONIC GH5 with or without professional cage and lenses mounted
- 2 Lenses: LUMIX G 8MM F3,5 (FISHEYE) HD, LUMIX DG SUMMILUX 12 F1.4, LUMIX G PANCAKE 14MM F2.5, LEICA DG SUMMILUX 15mm / F1,7 ASPH, LUMIX G 20MM F1,7 (ASPH), LEICA DG SUMMILUX 25mm F1.4 (ASPH), LUMIX G 25MM F1.7 ASPH., LUMIX G 30MM MACRO F2,8, LEICA DG NOCTICRON 42,5 MM F 1.2 (ASPH) HD, LUMIX G DG 1,7 / 42,5MM ASPH/POWER O.I.S., LEICA DG MACRO-ELMARIT 45MM F2,8 (ASPH), LUMIX G VARIO 7-14MM F4,0 (ASPH) HD, LEICA DG VARIO ELMARIT 8-18, LUMIX G VARIO 12-32MM F3,5-F5,6 (ASPH) HD, LUMIX G X VARIO 12-35MM F2,8 (ASPH) HD, LUMIX G X VARIO 12-35 II, LEICA DG VARIO ELMARIT 12-60, LUMIX G VARIO 12-60, LUMIX G VARIO 14-42MM F3,5-5,6 (ASPH) HD, LUMIX G VARIO 14-42MM F3,5-5,6 (ASPH) HD, LUMIX G X VARIO PZ 14-42MM F3,5-5,6 (ASPH), LUMIX G VARIO 14-42MM F3,5-5,6 (ASPH) HD, LUMIX G X VARIO PZ 14-42MM F3,5-5,6 (ASPH), LUMIX G VARIO 14-45MM F3,5-5,6 (ASPH) HD, LUMIX G X VARIO 35-100MM F2,8 HD, LUMIX G X VARIO 35-100 II, LUMIX G VARIO 35-100MM F4,0-5,6, LUMIX G VARIO 45-200 II, LUMIX G 12,5MM F12,5 3D
- 3 Battery chargers, cables
- 4 Accessories (baseplate, rods, top grip handles, lockports, cables, batteries, controllers, GoPro)
- 5 External recorder Atomos/Sound Device etc

HPRC PANASONIC GH5

## TECHNICAL FEATURES

### Dimension:

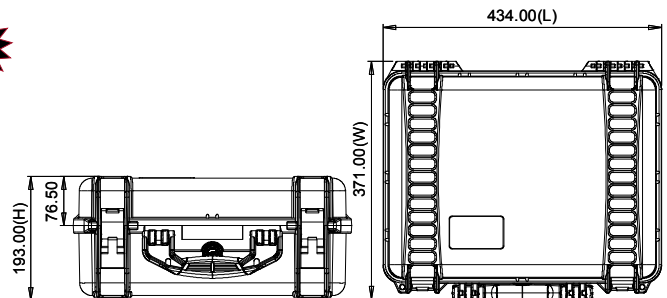
internal dimension 409x306x175(mm) - 16.10x12.05x6.89(in)  
external dimension 434x371x193(mm) - 17.09x14.61x7.60(in)

### Weight:

3,14kg - 6.92lbs

### Temperature rating:

Minimum Maximum  
-40°C -40°F +80°C +176°F





SONY

α  
7R

Carl Zeiss

Vario-Tessar FE 4/24-70 ZA OSS

3588032

SONY



SPECIAL CASES 2019

# ALP2460-01



HPRC2460 for ALPHA 7 is a special edition, designed to safely carry your SONY Alpha Series.



- 1 Sony A7/A7R/A7S/A7II/A7RII/A7SII/a6300 with or without professional cage and lenses mounted (EF/F/PL-Mount/Leica R)
- 2 Lenses: Sony FE 50/1.4, 50/2,8 Macro, 24-70/2.8 G, 85/1,4 G, 16-35/4, 24-70/4, 28-70/3.5-5.6, 28/2.0 - SONY ZA 35/2.8, 35/1.4, 50/1.4, 50/1,8 55/1.8/ 10-18/4 - Zeiss Loxia 21/2.8, 35/2.0, 50/2.0
- 3 Battery chargers, cables
- 4 Accessories (baseplate, rods, top grip handles, lockports, cables, batteries, controllers, GoPro)
- 5 external recorder Atomos/Sound Device etc



## TECHNICAL FEATURES

### Dimension:

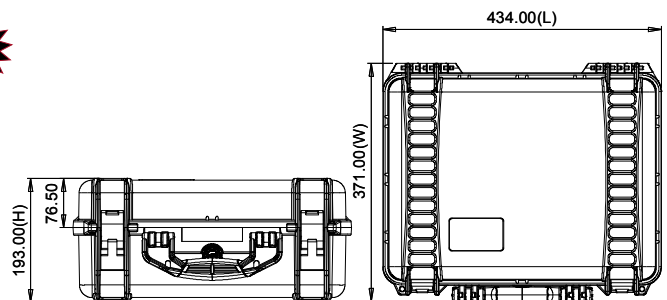
internal dimension 409x306x175(mm) - 16.10x12.05x6.89(in)  
external dimension 434x371x193(mm) - 17.09x14.61x7.60(in)

### Weight:

3,14kg - 6.92lbs

### Temperature rating:

Minimum Maximum  
-40°C -40°F +80°C +176°F



# HPRC2730W for Sony Venice VEN2730W-01



- 1** Sony Venice With Axs-R7 Mounted
- 2** Axs Memory And Sxs Memory Axs-Ar1
- 3** Lanparte Universal Grip Ug-02
- 4** Accessories/Air Evf Mount
- 5** Micellaneous
- 6** Power Supply V-Lock Pc2l
- 7** Battery V-Lock B100usb/B230usb
- 8** Viewfinder Dvf-EI200
- 9** Hprc1300 Sxs
- 10** Shoulder Mount Accessory Vct-Fsa5
- 11** Tripod Place
- 12** Shoulder Mount Rods



## TECHNICAL FEATURES

**Dimension:**  
 internal dimension 509x460x316(mm) - 20.04x18.11x12.44(in)  
 external dimension 620x520x350(mm) - 24.41x20.47x13.78(in)  
 lid: 45(mm) - 1.77(in) bottom: 271(mm) - 10.66(in)

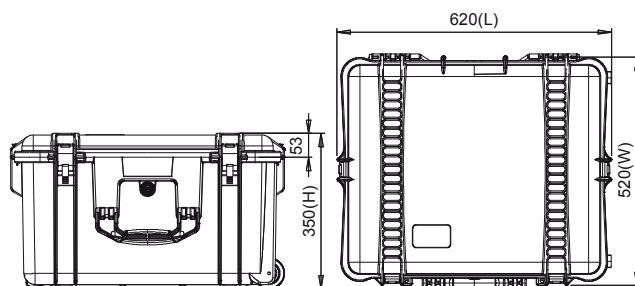
**Weight:**  
 empty: 7,55kg - 16.64lbs  
 with cubed foam: 10,43kg - 22.99lbs

**Temperature rating:**  
 Minimum -40°C -40°F      Maximum +80°C +176°F

**Colors:**  
 Black



## TECHNICAL DRAWING



# HPRC2700W for Sony PXWZ190V Z190-2700W-01



**SONY**  
PXWZ190V



- 1** Sony Camcorder PXW-Z190VC
- 2** BC-U1 battery charger
- 3** Battery Sony BPU \Swit S-8U63
- 4** Microphone
- 5** Wireless Audio Set Sony UWP-D11/K51PRO
- 6** Cables/Accessories/Miscellaneous

## TECHNICAL FEATURES

### Dimension:

Internal dimension  
555x459x256(mm) - 21.85x18.07x10.08(in)  
External dimension  
620x525x280(mm) - 24.41x20.67x11.02(in)

### Weight:

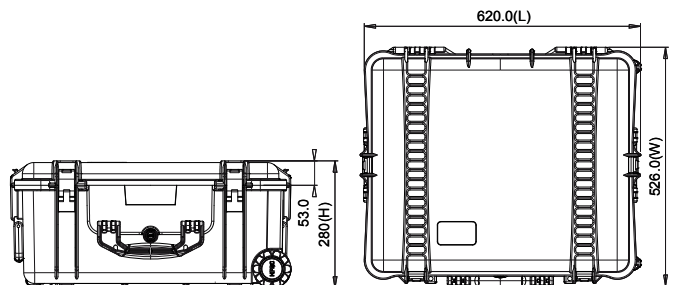
9,07kg - 19.99lbs

### Temperature rating:

Minimum Maximum  
-40°C -40°F +80°C +176°F



## TECHNICAL DRAWING





CANON

SPECIAL CASES 2019



# HPRC2600 for CANON EOS C100

## C100-2600-01



- 1 Canon Eos C100 With Viewfinder and Camera Grip Mounted
- 2 Handle Unit
- 3 Lenses Ef85mm/16-35/24-70/24-105Mm
- 4 Battery Pack Bp 955
- 5 Battery Pack Bp 975
- 6 Battery Charger Cg-940
- 7 Compact Adaptor Ca-941
- 8 Miscellaneous Accessories
- 9 HPRC110Mem

HPRC CANON EOS C100

### TECHNICAL FEATURES

#### Dimension:

internal dimension  
482x358x198(mm) - 18.97x14.09x7.79(in)  
external dimension  
543x419x218(mm) - 21.37x16.49x8.58(in)

#### Weight:

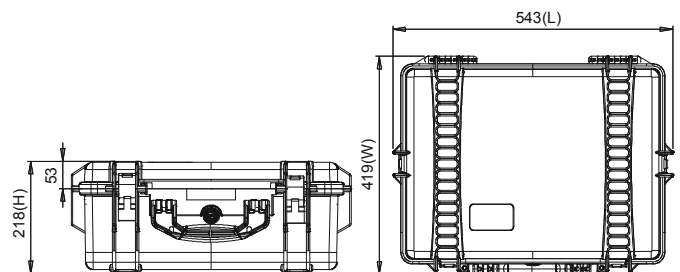
5,05kg - 11.13lb

#### Temperature rating:

Minimum Maximum  
-40°C -40°F +80°C +176°F

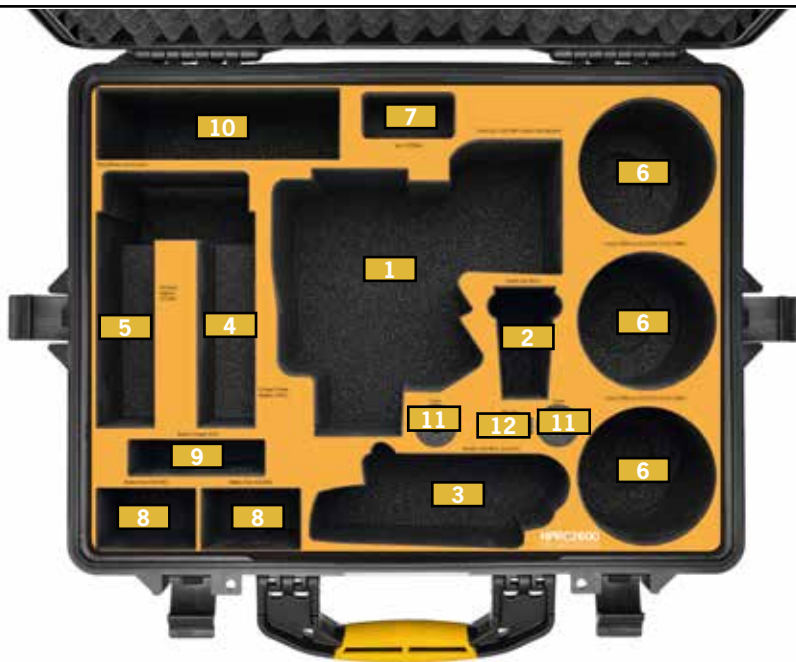


### TECHNICAL DRAWING



# HPRC2600 for CANON EOS C200

## C200-2600-01



- 1 Canon Eos C200 With Camera Grip Mounted
- 2 Handle Unit Hdu-2
- 3 Monitor Lcd Lm-V1, Lcd La-V1
- 4 Compact Power Adaptor Ca-A10
- 5 Compact Adaptor Cp200b
- 6 Lenses Ef85mm/16-35/24-70/24-105Mm
- 7 Hprc110Mem
- 8 Battery Pack A30/A60
- 9 Battery Charger A-20
- 10 Miscellaneous Accessories
- 11 Screw
- 12 Allen Key

HPRC CANON EOS C200

### TECHNICAL FEATURES

#### Dimension:

internal dimension  
482x358x198(mm) - 18.97x14.09x7.79(in)  
external dimension  
543x419x218(mm) - 21.37x16.49x8.58(in)

#### Weight:

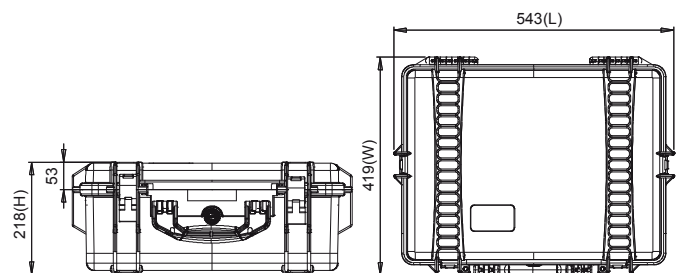
5,05kg - 11.13lb

#### Temperature rating:

Minimum Maximum  
-40°C -40°F +80°C +176°F



### TECHNICAL DRAWING







**RED**

**SPECIAL CASES 2019**

# HPRC RED-2700W-01

**RED**

FOR RED RAVEN



- 1** RED Raven Camera Body/Brain with following accessories attached:  
-Red Raven Baseplate  
-Red Easy riser  
-Red Base expander i/o V-Lock  
-Blushape granite mini 140wh battery  
-Red DSMC2 side handle  
-Red DSMC2 Universal handle  
-Red DSMC2 4,7" Touch Monitor
- 2** Optional Lens
- 3** Accessories / Cables
- 4** AC Power Adaptor
- 5** RED weapon top handle with swat rail mounted
- 6** Lcd sun shade
- 7** Usb 3.1 mini-mag station cable
- 8** Red Mini-Mag Station
- 9** 2 x F.O.C. Hprc1300 cases for RED minimag cards (up to 4)
- 10** RED pocket sized Sidewinder tool
- 11** DSMC2 RED Touch monitor up to 7"
- 12** RED allen key
- 13** Blushape travel charger for up to 2 v-lock battery charging.
- 14** Blushape granite mini 140wh battery



**Dimension:**

**internal dimension**  
555x460x256(mm) - 21.85x18.1x10.08(in)  
**external dimension**  
620x525x280(mm) - 24.41x20.67x11.02(in)



**lid:** 46(mm) - 1,81(in) **bottom:** 210(mm) - 8,27(in)

**Weight:**

8.72kg - 19.22lbs

**Temperature rating:**

Minimum  
-40°C -40°F

Maximum  
+80°C +176°F



LEICA



LEICA

SPECIAL CASES 2019

# LEM2400-01



FOR LEICA M



- 1** 1 x Leica M Camera Body with Lens Attached
- 2** Electronic Viewfinder
- 3** 4 x Lens
- 4** Charger
- 5** Spare Battery
- 6** Cables/Miscellaneous

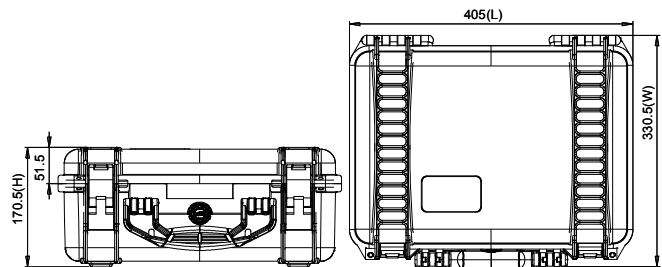
HIPRC LEICA M

## TECHNICAL FEATURES

**Dimension:**  
 internal dimension 380x266x152(mm) - 14.96x10.47x5.98(in)  
 external dimension 405x330x170(mm) - 15.94x12.99x6.69(in)

**Weight:**  
 empty: 2,05kg - 4.52lbs  
 with foam: 2,38kg - 5.25lbs

**Temperature rating:**  
 Minimum -40°C -40°F  
 Maximum +80°C +176°F



# LEM2460-01



FOR LEICA M



- 1** 2 x Leica M Camera Body with Lens Attached
- 2** 2 x Electronic Viewfinder
- 3** 2 x Spare Batteries
- 4** 4 x Lens
- 5** 2 x Charger
- 6** Cables/Miscellaneous

HPRC LEICA M

## TECHNICAL FEATURES

### Dimension:

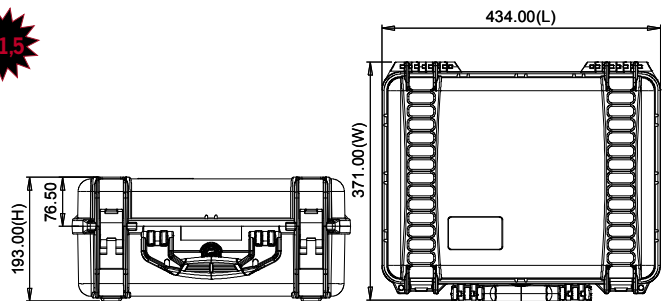
internal dimension 409x306x175(mm) - 16.10x12.05x6.89(in)  
external dimension 434x371x193(mm) - 17.09x14.61x7.60(in)

### Weight:

empty: 2,60kg - 5.73lbs  
with foam: 3,14kg - 6.92lbs

### Temperature rating:

Minimum -40°C -40°F      Maximum +80°C +176°F







8  
11  
16  
MP  
20





I



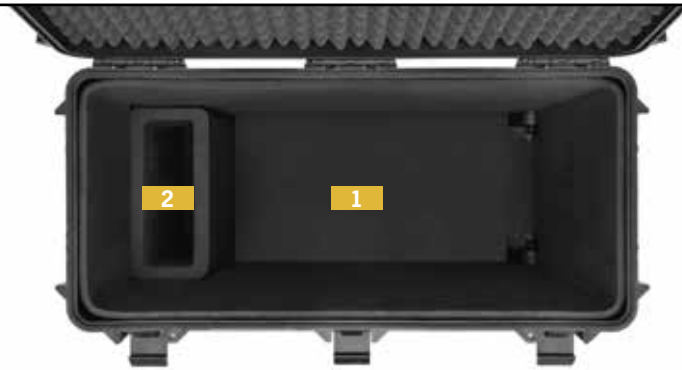
BROMPTON

BROMPTON



SPECIAL CASES 2019

# BRO4800W-01



1 Brompton Bike

2 Accessories



HPRC BROMPTON

## TECHNICAL FEATURES

### Dimension:

internal dimension  
720x320x600(mm) - 28.34x12.60x23.62(in)  
external dimension  
776x380x649(mm) - 30.55x14.96x25.55(in)

### Weight:

with foam: 11.60 kg – 25.57 lbs

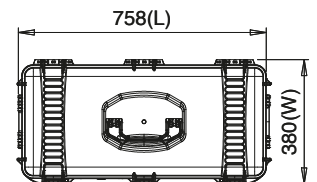
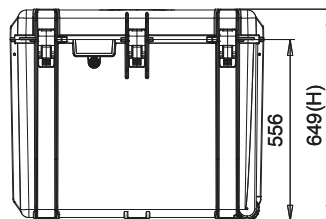
### Temperature rating:

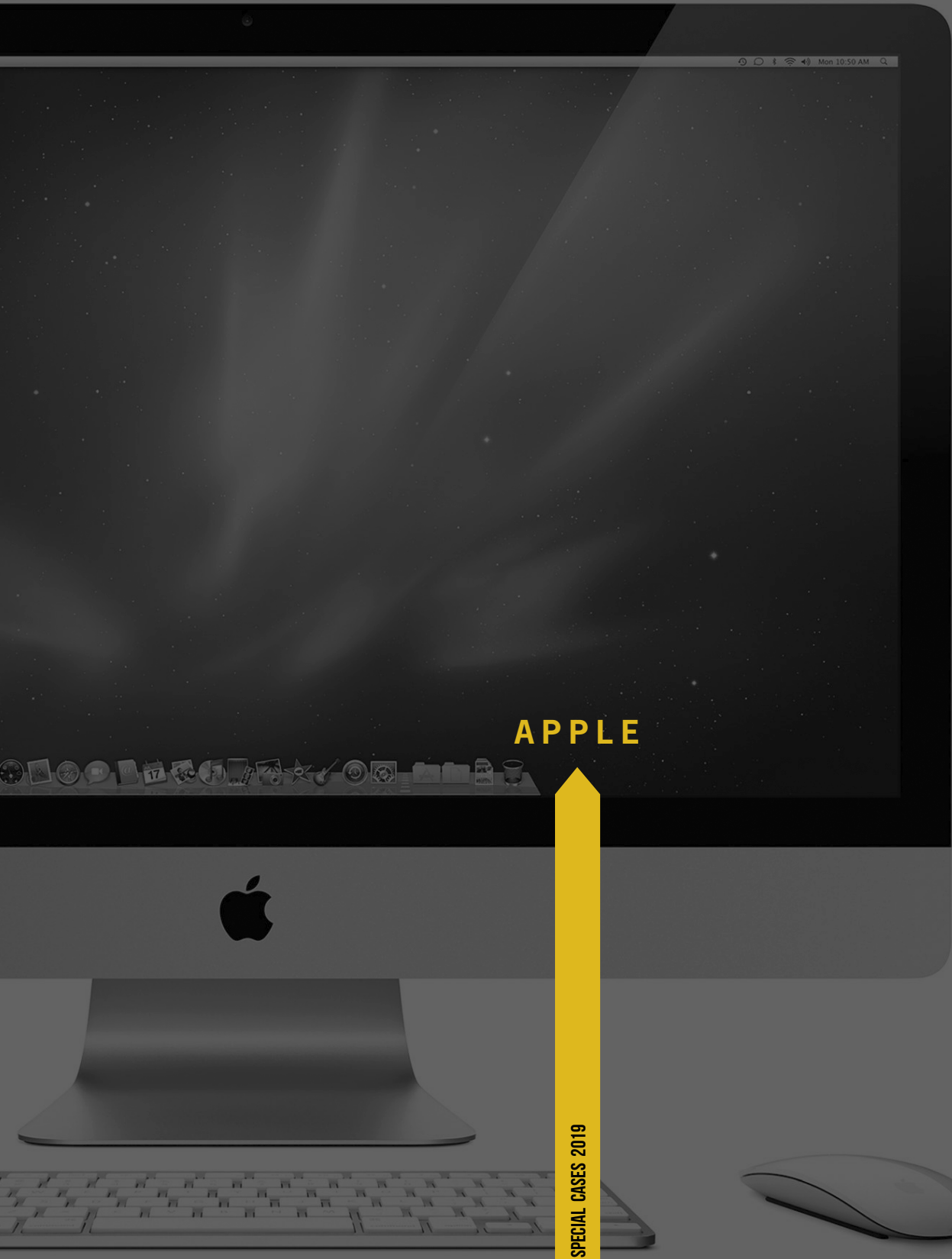
Minimum Maximum  
-40°C -40°F +80°C +176°F



W

## TECHNICAL DRAWING





APPLE

SPECIAL CASES 2019

# MAC4800W-01 HPRC4800WMAC



- 1 Apple Imac 27"
- 2 Cable
- 3 Keyboard + Mouse



HPRC APPLE IMAC 27"

## TECHNICAL FEATURES

### Dimension:

internal dimension  
720x320x600(mm) - 28.34x12.60x23.62(in)  
external dimension  
776x380x649(mm) - 30.55x14.96x25.55(in)

### Weight:

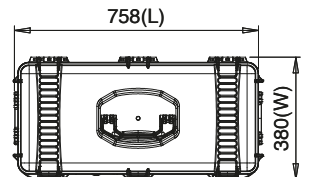
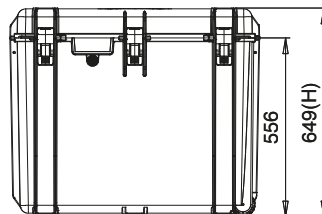
with foam: 11.60 kg – 25.57 lbs

### Temperature rating:

Minimum                      Maximum  
-40°C -40°F                      +80°C +176°F



## TECHNICAL DRAWING







**HPRC®**

**T U N I N G**

**Plaber s.r.l. - HPRC cases**

Via Div Tridentina, 10  
I-36061 Bassano del Grappa  
Vicenza - Italy

Tel +39 0424 809150  
Fax +39 0424 808548

USA office and warehouse:

**Plaber America Inc - HPRC cases**

240 Anderson Avenue  
07074 Moonachie - New Jersey

Tel +1 201 617 2010  
Fax +1 201 617 2001

[www.hprc.it](http://www.hprc.it) | [www.hprcusa.com](http://www.hprcusa.com)

[info@hprc.it](mailto:info@hprc.it)

HPRC® Brand owned by:

*plaber*  
ITALIA

**SPECIAL CASES 2019**