

plaber®

READY

SPECIAL CASES 2021

## HPRC VECTOR PANEL

The new protective layer system designed for your Ready Case



We are HPRC. We don't just design and manufacture watertight hard protective cases, we supply carrying solutions. And solutions need to be no-hassle and tailored to your needs.

This is why in Autumn 2013 we designed our first case with a foam specially cut to house the DJI Phantom 1.

Now, almost 8 years later, we are a leading manufacturer of custom cases for drones, gimbals, camcorders and cameras but we feel we are still at the beginning: more is yet to come.

HPRC CASES  
**MADE IN ITALY**  
MANUFACTURED

Made of special PVC based compound, the Vector Panel ensures:

- foam long-last durability and integrity;
- improved protection for the equipment;
- dedicated item slots, suitably marked, avoiding lost tools;
- easy and quick organization of the case;
- savings in space and time;
- professional design and presentation.



The system significantly increases the overall performance and efficiency of the case in any kind of environment, weather conditions and temperature.

# HPRC2710 for DJI Phantom 4 PHA4-2710-01



DJI

SPECIAL CASES 2021



- 1 DJI Phantom 4 / Pro / 4 Pro + with Props On / 4 V2.0
- 2 Cables / Miscellaneous
- 3 3 x Filters
- 4 Charger + Cables
- 5 2 x Kits of Spare Props
- 6 Spare Battery
- 7 Spare Battery / Miscellaneous Accessories
- 8 Complimentary HPRC1100 for 8 MicroSD Cards
- 9 Ipad Air / Tablet up to 10"
- 10 Controller Monitor Hood for Tablets / Instructions
- 11 Remote Controller
- 12 Cables
- 13 Small Tools

suitable for v 2.0 low noise propellers



**Dimension:** **internal dimension**  
555x459x256(mm) - 21.85x18.07x10.08(in)  
**external dimension**  
617x525x280(mm) - 24.29x20.67x11.02(in)



**lid:** 45(mm) - 1.77(in) **bottom:** 211(mm) - 8.30(in)

**Weight:** 7.75kg - 17.08lbs

**Temperature rating:** Minimum -40°C -40°F Maximum +80°C +176°F

# HPRC2700W for DJI Phantom 4 PHA4-2700W-01



- 1 | Phantom 4 / Pro / 4 Pro + with Props On / 4 V2.0
- 2 | Cables / Miscellaneous
- 3 | 3 x Filters
- 4 | Charger + Cables
- 5 | 2 x Kits of Spare Props
- 6 | Spare Battery
- 7 | Spare Battery / Miscellaneous Accessories
- 8 | Complimentary HPRC1100 for 8 MicroSD Cards
- 9 | Ipad Air / Tablet up to 10"
- 10 | Controller Monitor Hood for Tablets / Instructions
- 11 | Remote Controller
- 12 | Cables
- 13 | Small Tools

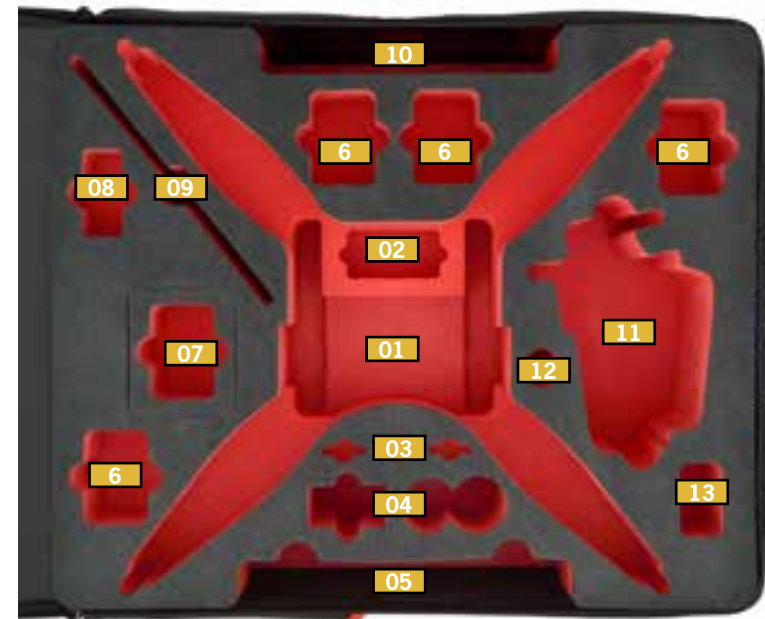


suitable for v 2.0 low noise propellers



<b>Dimension:</b>	<b>internal dimension</b> 555x460x256(mm) - 21.85x18.1x10.08(in)	
	<b>external dimension</b> 620x525x280(mm) - 24.41x20.67x11.02(in)	
<b>lid:</b> 46(mm) - 1,81(in)	<b>bottom:</b> 210(mm) - 8,27(in)	
<b>Weight:</b>	8.72kg - 19.22lbs	
<b>Temperature rating:</b>	Minimum -40°C -40°F	Maximum +80°C +176°F

# Bag for DJI Phantom 4 PHA4-BAG27-01



- 1 | Phantom 4 / Pro / 4 Pro + with Props On / 4 V2.0
- 2 | Cables / Miscellaneous
- 3 | 3 x Filters
- 4 | Charger + Cables
- 5 | 2 x Kits of Spare Props
- 6 | Spare Battery
- 7 | Spare Battery / Miscellaneous Accessories
- 8 | Complimentary HPRC1100 for 8 MicroSD Cards
- 9 | Ipad Air / Tablet up to 10"
- 10 | Controller Monitor Hood for Tablets / Instructions
- 11 | Remote Controller
- 12 | Cables
- 13 | Small Tools

suitable for v 2.0 low noise propellers



<b>Dimension:</b>	<b>external dimension</b> 560x470x235(mm) - 22.05x18.50x9.25(in)
<b>Weight:</b>	2.30kg - 5.07lbs

# HPRC2700W for DJI Phantom 4RTK PHA4RTK-2700W-01



- 1 Dji Phantom 4 RTK / Multispectral
- 2 Intelligent Flight Battery
- 3 Remote Controller
- 4 Ipad Air/Tablet Up to 10"
- 5 Hprc1100 For 8 Microsd Cards
- 6 Charging Hub for WB37
- 7 Battery WB37
- 8 Charging Hub for Int.flight Battery
- 9 AC Power Adapter / Miscellaneous Accessories
- 10 Propellers

suitable for v 2.0 low noise propellers

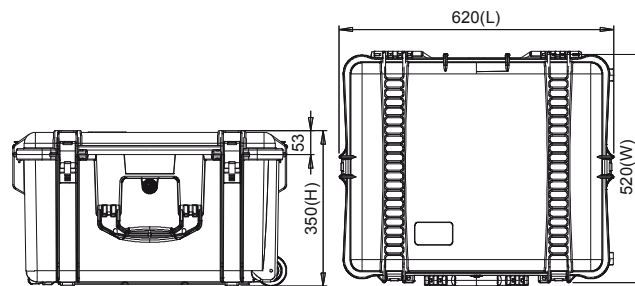
## TECHNICAL FEATURES

**Dimension:**  
Internal dimension  
550x460x316(mm) - 21.65x18.11x 12.44(in)  
External dimension  
620x520x350(mm) - 24.41x20.47x13.78(in)

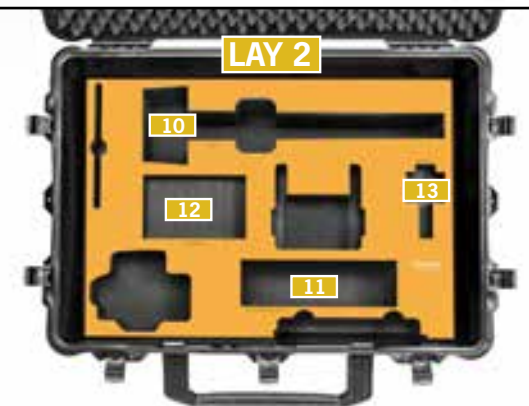
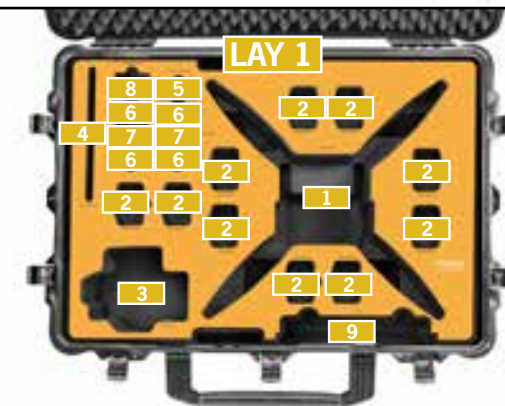
**Weight:**  
9,40 KG – 20.72 lbs

**Temperature rating:**  
Minimum Maximum  
-40°C -40°F +80°C +176°F

## TECHNICAL DRAWING



# HPRC2780W for DJI Phantom 4 RTK + Ground Station PHA4RTKGS-2780W-01



- 1 Dji Phantom 4 RTK / Phantom 4 Multispectral
- 2 Intelligent Flight Battery
- 3 Remote Controller
- 4 Ipad Air/Tablet up to 10"
- 5 Hprc 1100 for 8 MicroSD Card
- 6 Battery WB37
- 7 Charging Hub for WB37
- 8 Miscellaneous Accessories
- 9 Propellers

- 10 D-RTK 2 Body
- 11 Charging Hub for Int.flight Battery/AC Power Adapter
- 12 Miscellaneous Accessories
- 13 Mobile Phone Holder

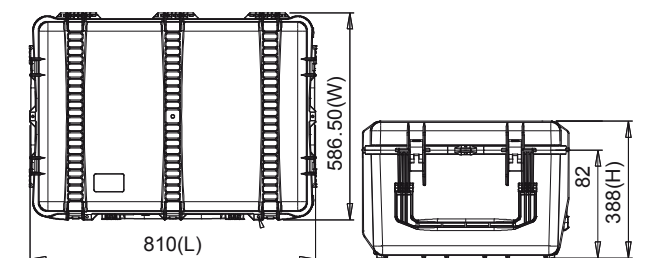
## TECHNICAL FEATURES

**Dimension:**  
Internal dimension  
749x525x366(mm) - 29.49x20.67x14.41(in)  
External dimension  
810x586,5x388(mm) - 31.89x23.09x15.28(in)

**Weight:**  
with foam: 14.30kg - 31.52lbs

**Temperature rating:**  
Minimum Maximum  
-40°C -40°F +80°C +176°F

## TECHNICAL DRAWING



# HPRC6500W for DJI D-RTK 2

## DRTK6500W-01

**dji**  
D-RTK 2



- 1** D-RTK 2 Body
- 2** Accessories Box (Mobile Phone Holder; Charging Hub, Intelligent Battery, Battery Cover, Ac Power Adapter\Cable etc)
- 3** Extention Rod
- 4** Tripod

### TECHNICAL FEATURES

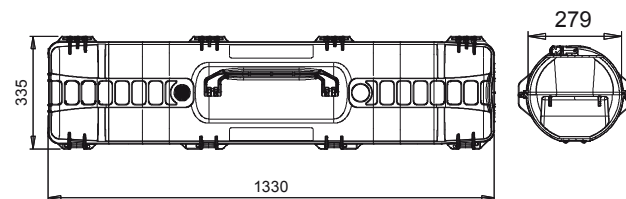
**Dimension:**  
Internal dimension  
1281x279x243(mm) - 50.43x10.98x9.57(in)  
External dimension  
1330x335x285(mm) - 52.36x13.19x11.22(in)

**Weight:**  
7,20kg - 15.87lbs

**Temperature rating:**  
Minimum Maximum  
-40°C -40°F +80°C +176°F



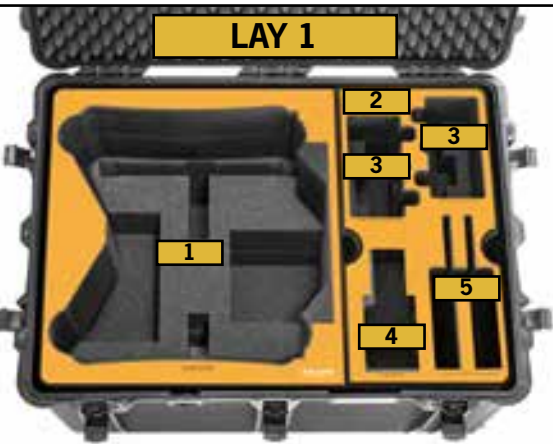
### TECHNICAL DRAWING



**READY**



# HPRC2800W for DJI Matrice 300 RTK M300-2800W-01



LAY 1



LAY 2

- 1** DJI Matrice 300 RTK in Landing Mode (2 Gimbal and 2 Batteries mounted)
- 2** Dry Keeper
- 3** DJI Smart Controller Enterprise (Battery Attached)
- 4** H20T Gimbal/Miscellaneous
- 5** Tablet up to 11" or CrystalSky 7.85" with sun hood mounted

- 6** Propellers
- 7** WB37 Intelligent Battery
- 8** TB60 Intelligent Flight Battery



## TECHNICAL FEATURES

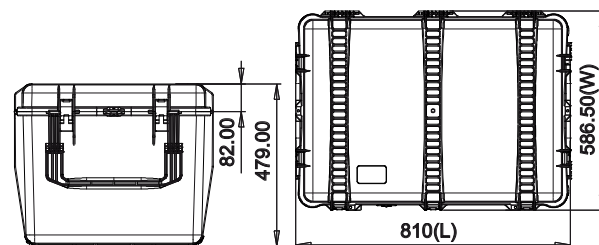
**Dimension:**  
Internal dimension  
749x525x455(mm) - 29.49x20.67x17.91(in)  
External dimension  
810x586,5x479(mm) - 31.89x23.09x18.86(in)

**Weight:**  
17,43kg - 38.43lbs

**Temperature rating:**  
Minimum Maximum  
-40°C -40°F +80°C +176°F



## TECHNICAL DRAWING



# HPRC2550W for Battery DJI Matrice 300 RTK BAT2550W-03



- 1** TB60 Intelligent Flight Battery
- 2** WB37 Intelligent Battery
- 3** Various/Perfect for Dry Keeper



## TECHNICAL FEATURES

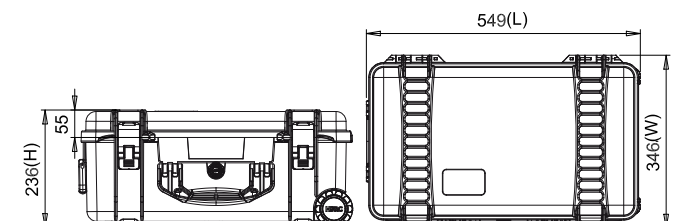
**Dimension:**  
internal dimension  
513x288x200(mm) - 20.19x11.34x7.87(in)  
external dimension  
549x346x236(mm) - 21.61x13.62x9.29(in)

**Weight:**  
empty: 4.35kg - 9.57lbs

**Temperature rating:**  
Minimum Maximum  
-40°C -40°F +80°C +176°F



## TECHNICAL DRAWING



# HPRC4600W for DJI Matrice 200/210 v.2.0 M210-4600W-04



- 1 DJI Matrice 200/210 v.2.0 with 1 Gimbal Connector, 2 cameras, 2 GPS kit, 2 batteries TB55 mounted
- 2 Cendence Remote Controller
- 3 Cendence Remote Controller
- 4 CrystalSky Battery (WB37)
- 5 Charging Hub for CrystalSky (WCH2)
- 6 CrystalSky 7.85" with sun hood mounted
- 7 Charging Hub (IN2)
- 8 x 1 battery TB55
- 9 Battery Charger
- 10 x 4 Propellers Air

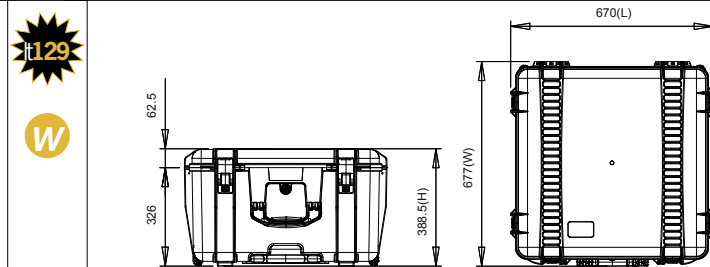
## TECHNICAL FEATURES

**Dimension:**  
 internal dimension  
 611x611x345(mm) - 24.05x24.05x13.58(in)  
 external dimension  
 670x677x388.5(mm) - 26.38x26.65x15.3(in)

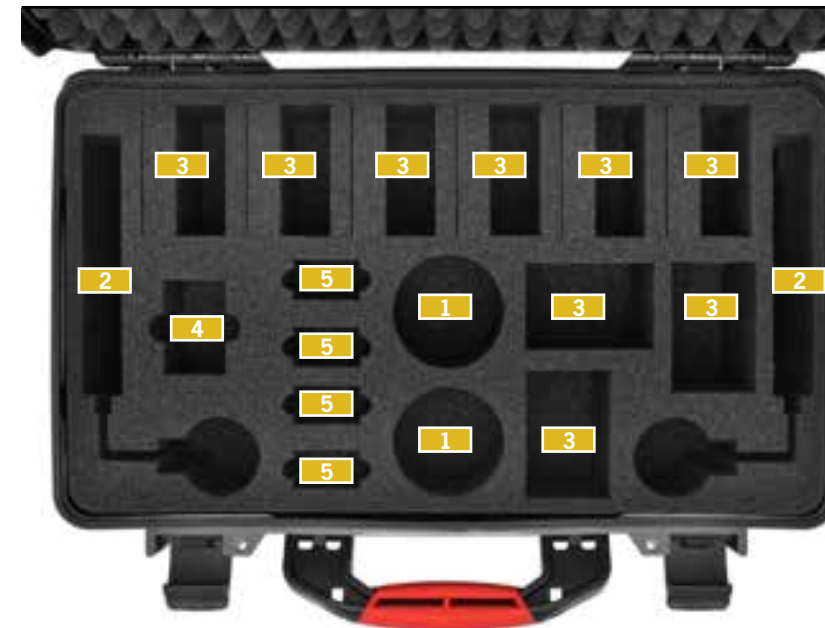
**Weight:**  
 empty: 9,9kg - 21.83lbs

**Temperature rating:**  
 Minimum Maximum  
 -40°C -40°F +80°C +176°F

## TECHNICAL DRAWING



# HPRC2550W Battery Case for DJI Matrice 200/210 v.2.0 BAT-2550W-02



- 1 Charging Hub
- 2 Battery Charger
- 3 Battery TB50 or TB55
- 4 Charging Hub for CristalSky (WCH2)
- 5 CrystalSky Battery (WB37)



## TECHNICAL FEATURES

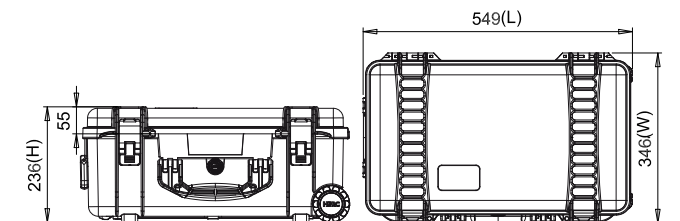
**Dimension:**  
 internal dimension  
 513x288x200(mm) - 20.19x11.34x7.87(in)  
 external dimension  
 549x346x236(mm) - 21.61x13.62x9.29(in)

**Weight:**  
 empty: 4.35kg - 9.57lbs

**Temperature rating:**  
 Minimum Maximum  
 -40°C -40°F +80°C +176°F

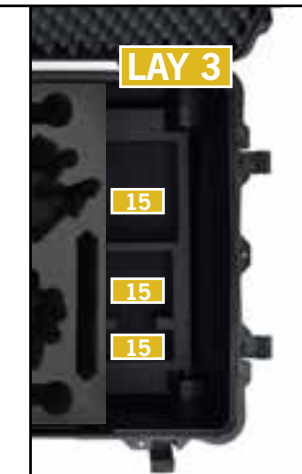
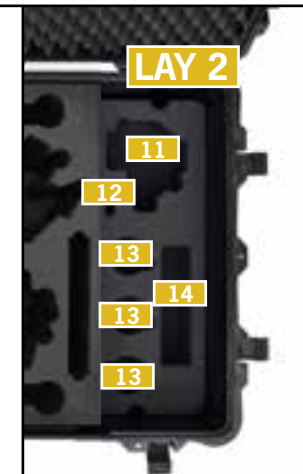


## TECHNICAL DRAWING





# HPRC2780W for DJI Inspire 2 INS2-2780W-02



- 1 DJI Inspire 2 in Landing Mode with Gimbal X7 Attached
- 2 Transmitter (Radio Controller)
- 3 Spare Flight Battery
- 4 Crystal Monitor 7.85"
- 5 Cendence Remote Controller
- 6 SSD
- 7 Charger
- 8 Filters
- 9 Props + Spare Props
- 10 Charging Hub

- 11 Gimbal
- 12 Gimbal's Lid
- 13 Lens
- 14 Cables / Miscellaneous

- 15 Miscellaneous / Small Accessories

## TECHNICAL FEATURES

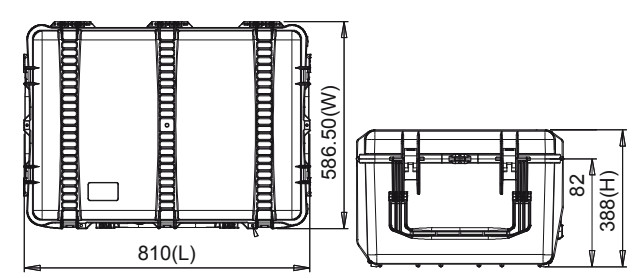
**Dimension:**  
Internal dimension  
749x525x366(mm) - 29.49x20.67x14.41(in)  
External dimension  
810x586,5x388(mm) - 31.89x23.09x15.28(in)

**Weight:**  
with foam: 14.30kg - 31.52lbs

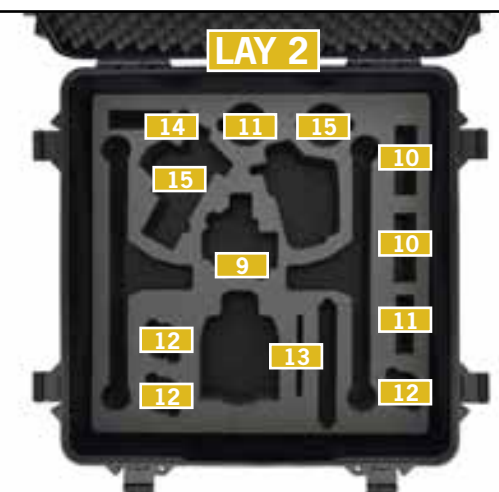
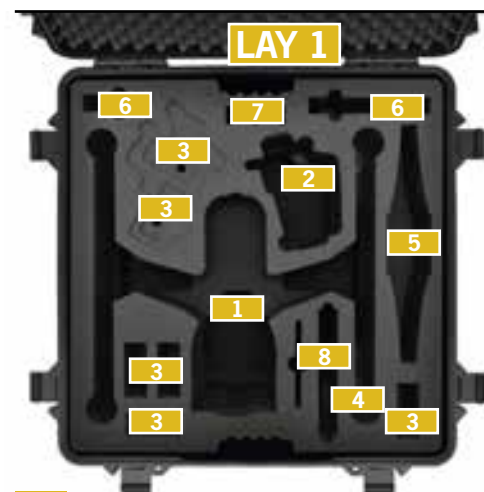
**Temperature rating:**  
Minimum Maximum  
-40°C -40°F +80°C +176°F



## TECHNICAL DRAWING



# HPRC INS2-4600W-02



- 1 DJI Inspire 2 in Landing Mode with Gimbal X7 Attached
- 2 Standard Radio Controller
- 3 Spare Flight Battery
- 4 Ipad Mini / Tablet up to 7.9"
- 5 Props + Spare Props
- 6 Charger
- 7 SSD
- 8 CrystalSky 7.85"

- 9 Gimbal
- 10 Battery
- 11 Cables / Miscellaneous
- 12 Lens
- 13 Crystal Monitor
- 14 Charging Hub
- 15 Cendence Remote Controller



## TECHNICAL FEATURES

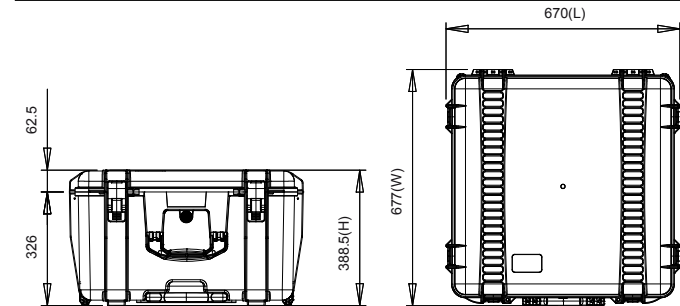
**Dimension:**  
Internal dimension  
611x611x345(mm) - 24.05x24.05x13.58(in)  
External dimension  
670x677x388.5(mm) - 26.38x26.65x15.3(in)

**Weight:**  
with foam: 14.30kg - 31.52lbs

**Temperature rating:**  
Minimum Maximum  
-40°C -40°F +80°C +176°F



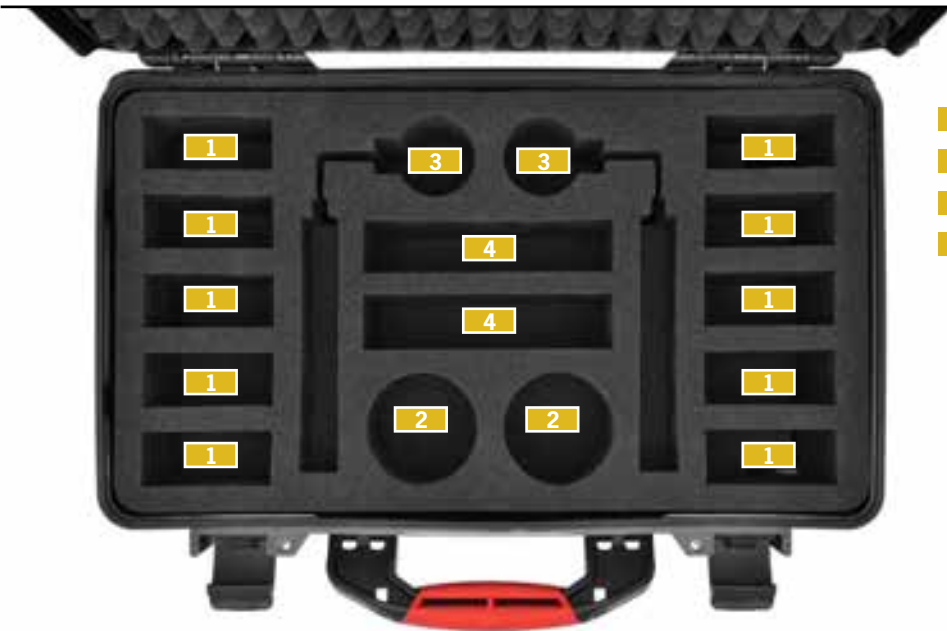
## TECHNICAL DRAWING



# HPRC BAT-2550W-01



**dji**  
INSPIRE 2



- 1 Battery for DJI Inspire 2
- 2 Charger Hub
- 3 Battery Charger
- 4 Miscellaneous



## TECHNICAL FEATURES

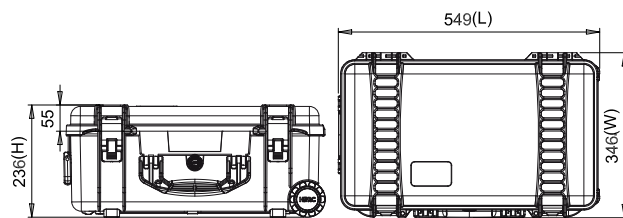
**Dimension:**  
internal dimension  
513x288x200(mm) - 20.19x11.34x7.87(in)  
external dimension  
549x346x236(mm) - 21.61x13.62x9.29(in)

**Weight:**  
empty: 4.35kg - 9.57lbs

**Temperature rating:**  
Minimum Maximum  
-40°C -40°F +80°C +176°F



## TECHNICAL DRAWING



# HPRC2300 for DJI Smart Controller Enterprise SCE-2300-01



HPRC  
VECTOR PANEL  
INSIDE



- 1 DJI Smart Controller Enterprise
- 2 Miscellaneous
- 3 Wb37 Intelligent Battery



## TECHNICAL FEATURES

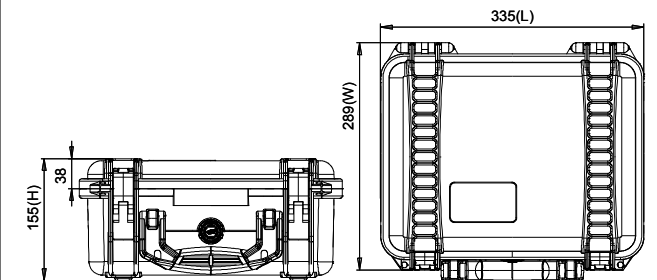
**Dimension:**  
Internal dimension  
304x231x137(mm) - 11.97x9.09x5.39(in)  
External dimension  
335x289x155(mm) - 13.19x11.38x6.10(in)

**Weight:**  
1,90kg - 4.19lbs

**Temperature rating:**  
Minimum Maximum  
-40°C -40°F +80°C +176°F



## TECHNICAL DRAWING



# HPRC2460 for DJI Cendence CEN2460-02



- 1 Cendence Remote Controller
- 2 CrystalSky 7.85"
- 3 Battery Charger
- 4 Charging hub for CrystalSky
- 5 CrystalSky Battery



# HPRC2400 for DJI Mavic 2 MAV2-2400BLK-02



- 1 Smart Controller/Battery Charger, Cables
- 2 Remote Controller/Battery Charger, Cables
- 3 Battery Charging Hub /Adapter, Various
- 4 DJI Mavic 2 (Intelligent Flight Battery and Gimbal Protector Included)
- 5 Propellers
- 6 Usb Adapter
- 7 Little Accessories
- 8 Usb Power Adapter/cable
- 9 Intelligent Flight Batteries

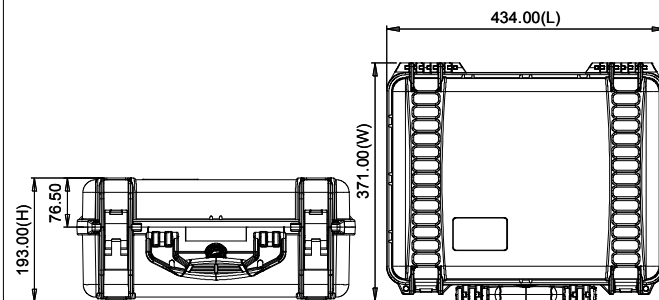


## TECHNICAL FEATURES

**Dimension:**  
internal dimension 409x306x175(mm) - 16.10x12.05x6.89(in)  
external dimension 434x371x193(mm) - 17.09x14.61x7.60(in)

**Weight:**  
empty: 2,60kg - 5.73lbs  
with foam: 3,14kg - 6.92lbs

**Temperature rating:**  
Minimum Maximum  
-40°C -40°F +80°C +176°F



## TECHNICAL FEATURES

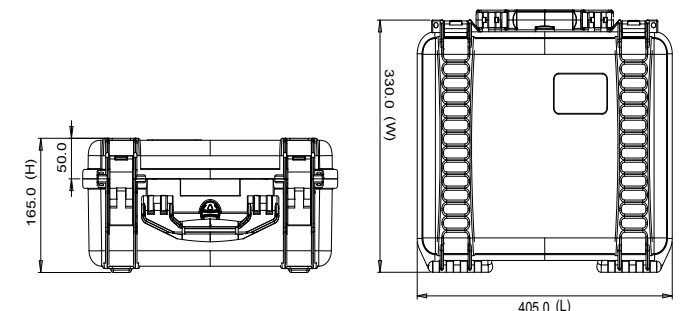
**Dimension:**  
internal dimension 380x266x152(mm) - 14.96x10.47x5.98(in)  
external dimension 405x330x170(mm) - 15.94x12.99x6.69(in)

**Weight:**  
2,38kg - 5.25lbs

**Temperature rating:**  
Minimum Maximum  
-40°C -40°F +80°C +176°F



## TECHNICAL DRAWING



# HPRC3500 for DJI Mavic 2 MAV2-3500BLK-02



- 1** DJI Mavic 2 (Intelligent Flight Battery and Gimbal Protector Included)
- 2** Remote Controller/Smart Controller
- 3** Intelligent Flight Batteries
- 4** Usb Power Adapter/cable
- 5** Mavic 2 Car Charger
- 6** Battery Charging Hub /Adapter, Various
- 7** Various / Usb Adaptor
- 8** Cables
- 9** Battery Charging Hub /Adapter, Various

## TECHNICAL FEATURES

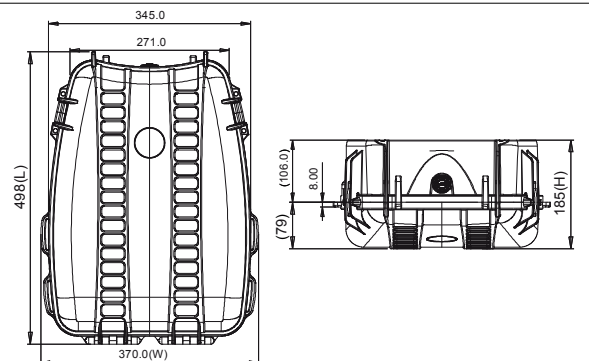
**Dimension:**  
 internal dimension  
 433x319x169(mm) - 17.05x12.56x6.65(in)  
 external dimension  
 498x370x185(mm) - 19.61x14.57x7.28(in)

**Weight:**  
 3,55kg - 7.82lbs

**Temperature rating:**  
 Minimum Maximum  
 -40°C -40°F +80°C +176°F



## TECHNICAL DRAWING



# Bag for DJI Mavic 2 MAVBAG35-03



- 1** DJI Mavic 2 (Intelligent Flight Battery and Gimbal Protector Included)
- 2** Remote Controller/Smart Controller
- 3** Intelligent Flight Batteries
- 4** Usb Power Adapter/cable
- 5** Mavic 2 Car Charger
- 6** Battery Charging Hub /Adapter, Various
- 7** Various / Usb Adaptor
- 8** Cables
- 9** Battery Charging Hub /Adapter, Various

## TECHNICAL FEATURES

**Dimension:**  
 internal dimension  
 433x319x169(mm) - 17.05x12.56x6.65(in)  
 external dimension  
 498x370x185(mm) - 19.61x14.57x7.28(in)



# HPRC2400 for DJI Mavic Air 2 MAV2A-2400-02



- 1 Dji Mavic Air 2 Aircraft
- 2 Intelligent Flight Battery
- 3 Battery Charging Hub
- 4 Propellers
- 5 Battery to Power, Bank Adaptor
- 6 Nd Filter Set
- 7 Remote Controller/Smart controller
- 8 Battery Charger
- 9 Cable



## TECHNICAL FEATURES

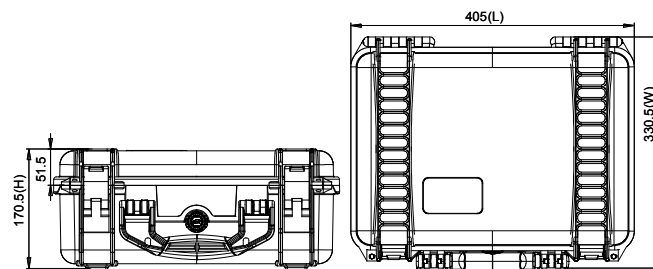
**Dimension:**  
 Internal dimension  
 380x266x152(mm) - 14.96x10.47x5.98(in)  
 External dimension  
 405x330x170(mm) - 15.94x12.99x6.69(in)

**Weight:**  
 2,38kg - 5.25lbs

**Temperature rating:**  
 Minimum Maximum  
 -40°C -40°F +80°C +176°F



## TECHNICAL DRAWING



# HPRC2300 for DJI Mavic Air 2 Fly More Combo MAV2A-2300-01



- 1 Dji Mavic Air 2 Aircraft
- 2 Battery Charger
- 3 Intelligent Flight Battery
- 4 Remote Controller
- 5 Propellers
- 6 Nd Filter Set
- 7 Cable



## TECHNICAL FEATURES

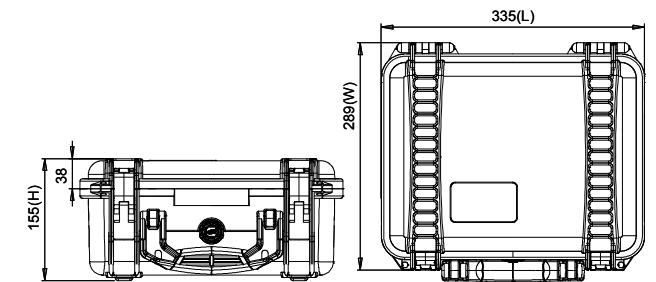
**Dimension:**  
 Internal dimension  
 304x231x137(mm) - 11.97x9.09x5.39(in)  
 External dimension  
 335x289x155(mm) - 13.19x11.38x6.10(in)

**Weight:**  
 1,90kg - 4.19lbs

**Temperature rating:**  
 Minimum Maximum  
 -40°C -40°F +80°C +176°F



## TECHNICAL DRAWING



# HPRC3500 for DJI Mavic Air 2 Fly More Combo MAV2A-3500-01



- 1 DjI Mavic Air 2 Aircraft
- 2 Intelligent Flight Battery
- 3 Nd Filter Set
- 4 Battery Charging Hub
- 5 Cable
- 6 Battery to Power, Bank Adaptor
- 7 Propellers
- 8 Miscellaneous
- 9 Remote Controller
- 10 Battery Charger

## TECHNICAL FEATURES

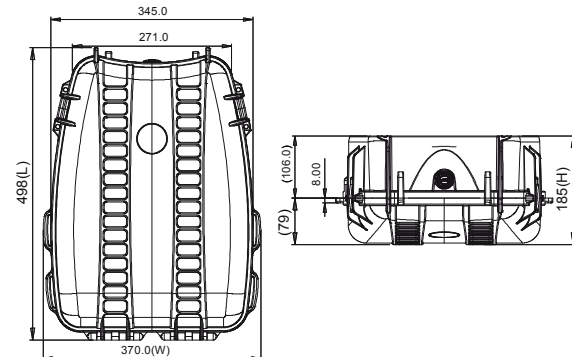
**Dimension:**  
 internal dimension  
 433x319x169(mm) - 17.05x12.56x6.65(in)  
 external dimension  
 498x370x185(mm) - 19.61x14.57x7.28(in)

**Weight:**  
 3,55kg - 7.82lbs

**Temperature rating:**  
 Minimum Maximum  
 -40°C -40°F +80°C +176°F



## TECHNICAL DRAWING



# Bag for DJI Mavic Air 2 Fly More Combo MAVBAG35-04



- 1 DjI Mavic Air 2 Aircraft
- 2 Intelligent Flight Battery
- 3 Nd Filter Set
- 4 Battery Charging Hub
- 5 Cable
- 6 Battery to Power, Bank Adaptor
- 7 Propellers
- 8 Miscellaneous
- 9 Remote Controller
- 10 Battery Charger

## TECHNICAL FEATURES

**Dimension:**  
 internal dimension  
 433x319x169(mm) - 17.05x12.56x6.65(in)  
 external dimension  
 498x370x185(mm) - 19.61x14.57x7.28(in)



# HPRC2300 FOR DJI Mini 2 Combo Fly More MAVM-2300-02



HPRC  
VECTOR PANEL



- 1 Aircraft
- 2 Cable/Miscellaneous
- 3 Intelligent Flight Battery
- 4 DJI 18W USB Charger
- 5 Two-Way Charging Hub
- 6 Remote Controller
- 7 Propellers



## TECHNICAL FEATURES

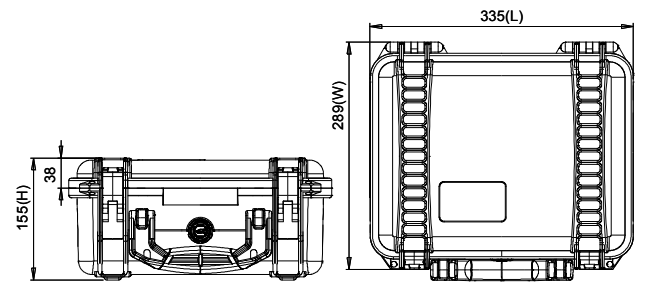
**Dimension:**  
 Internal dimension  
 304x231x137(mm) - 11.97x9.09x5.39(in)  
 External dimension  
 335x289x155(mm) - 13.19x11.38x6.10(in)



**Weight:**  
 1,90kg - 4.19lbs

**Temperature rating:**  
 Minimum      Maximum  
 -40°C -40°F      +80°C +176°F

## TECHNICAL DRAWING



HPRC DJI MAVIC MINI

# HPRC 1400 for DJI POCKET 2 CREATIVE COMBO KIT OSMPKT-1400-02



- 1 DJI Pocket 2 with 1/4"-20 Tripod Mounted
- 2 Micro Tripod
- 3 Mini Control Stick
- 4 Cable/Wireless Microphone Windscreen
- 5 Do-it-All Handle
- 6 Wireless Microphone Transmitter/SD Card
- 7 Wide-Angle Lens
- 8 Lightning (iOS) Smartphone Adapter/ USB Type-C Smartphone Adapter

### TECHNICAL FEATURES

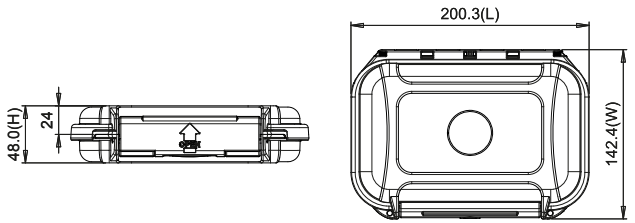
**Dimension:**  
 internal dimension  
 180x110x40(mm) - 7,08x4,33x1,57(in)  
 external dimension  
 200x142x48(mm) - 7,87x5,59x1,88(in)

**Weight:**  
 empty: 0,60kg - 1,32lbs

**Temperature rating:**  
 Minimum Maximum  
 -40°C -40°F +80°C +176°F



### TECHNICAL DRAWING



HPRC DJI POCKET 2



# HPRC1400 for DJI OSMO POCKET OSMPKT-1400-01



- 1 DJI Osmo Pocket
- 2 Accessories / Power Cable
- 3 SD Card Rack
- 4 Smartphone adapters

## TECHNICAL FEATURES

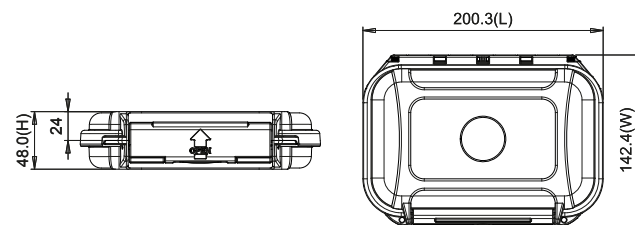
**Dimension:**  
 internal dimension  
 180x110x40(mm) - 7,08x4,33x1,57(in)  
 external dimension  
 200x142x48(mm) - 7,87x5,59x1,88(in)

**Weight:**  
 empty: 0,60kg - 1,32lbs

**Temperature rating:**  
 Minimum Maximum  
 -40°C -40°F +80°C +176°F



## TECHNICAL DRAWING



# HPRC1400 for DJI OSMO ACTION OSMACT-1400-01



- 1 Osmo Action and Camera Frame
- 2 Battery
- 3 Quick Release Base
- 4 SD Card Rack
- 5 USB-C Cable Flat
- 6 Locking Screw

## TECHNICAL FEATURES

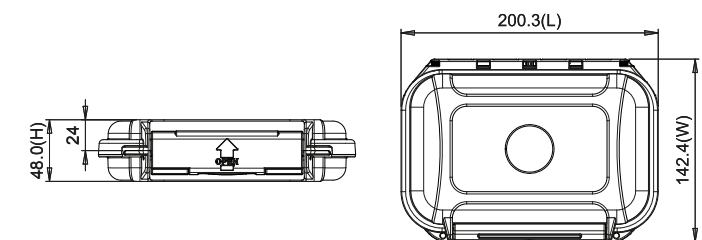
**Dimension:**  
 internal dimension  
 180x110x40(mm) - 7,08x4,33x1,57(in)  
 external dimension  
 200x142x48(mm) - 7,87x5,59x1,88(in)

**Weight:**  
 empty: 0,60kg - 1,32lbs

**Temperature rating:**  
 Minimum Maximum  
 -40°C -40°F +80°C +176°F



## TECHNICAL DRAWING



# HPRC2460 for DJI Goggles GGG-2460-01



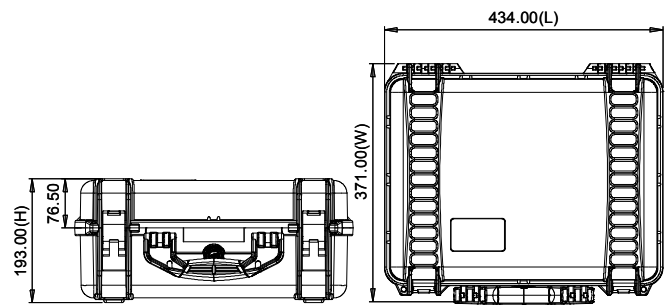
- 1 Headband
- 2 DJI Goggles Body
- 3 Cables / Miscellaneous Accessories
- 4 Eu Charger
- 5 Uk Charger

## TECHNICAL FEATURES

**Dimension:**  
 internal dimension 409x306x175(mm) - 16.10x12.05x6.89(in)  
 external dimension 434x371x193(mm) - 17.09x14.61x7.60(in)

**Weight:**  
 empty: 2,60kg - 5.73lbs  
 with foam: 3,14kg - 6.92lbs

**Temperature rating:**  
 Minimum Maximum  
 -40°C -40°F +80°C +176°F



# HPRC2500 for DJI RSC 2 Pro Combo RSC2-2500-01



- 1 Gimbal (Built-In Battery)
- 2 Cable/Miscellaneous
- 3 Extended Grip/Tripod
- 4 Image Transmitter
- 5 Focus Motor
- 6 Phone Holder
- 7 Quick-Release Plate (Arca-Swiss/Manfrotto)

## TECHNICAL FEATURES

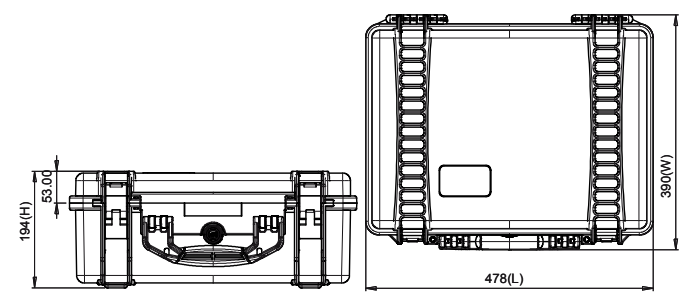
**Dimension:**  
 internal dimension 450x323x175(mm) - 17.72x12.72x6.89(in)  
 external dimension 478x390x194(mm) - 18.82x15.35x7.64(in)

**Weight:**  
 3,71kg - 8.18lbs

**Temperature rating:**  
 Minimum Maximum  
 -40°C -40°F +80°C +176°F



## TECHNICAL DRAWING



# HPRC2500 for DJI RS 2 Pro Combo RS2-2500-01



- 1 Gimbal
- 2 Cable/Miscellaneous
- 3 Briefcase Handle
- 4 Phone Holder
- 5 Image Transmitter
- 6 Quick-Release Plate (Arca-Swiss/Manfrotto)
- 7 Focus Motor
- 8 BG30 Grip
- 9 Extended Grip/Tripod (Metal)



## TECHNICAL FEATURES

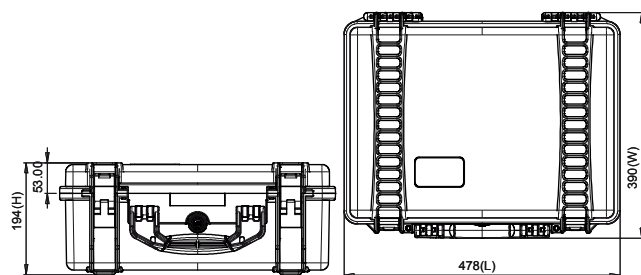
**Dimension:**  
internal dimension 450x323x175(mm) - 17.72x12.72x6.89(in)  
external dimension 478x390x194(mm) - 18.82x15.35x7.64(in)

**Weight:**  
3,71kg - 8.18lbs

**Temperature rating:**  
Minimum -40°C -40°F      Maximum +80°C +176°F



## TECHNICAL DRAWING



# HPRC3500 for DJI RS 2 Pro Combo RS2-3500-01



- 1 Gimbal
- 2 Cable/Miscellaneous
- 3 Quick-Release Plate (Arca-Swiss/Manfrotto)
- 4 Briefcase Handle
- 5 BG30 Grip/ Extended Grip/Tripod (Metal)
- 6 Phone Holder
- 7 Cable/Miscellaneous

## TECHNICAL FEATURES

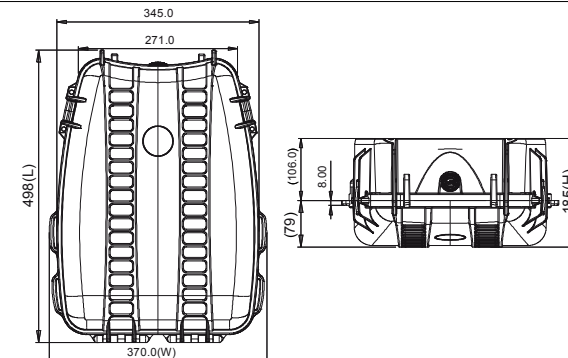
**Dimension:**  
internal dimension 433x319x169(mm) - 17.05x12.56x6.65(in)  
external dimension 498x370x185(mm) - 19.61x14.57x7.28(in)

**Weight:**  
3,55kg - 7.82lbs

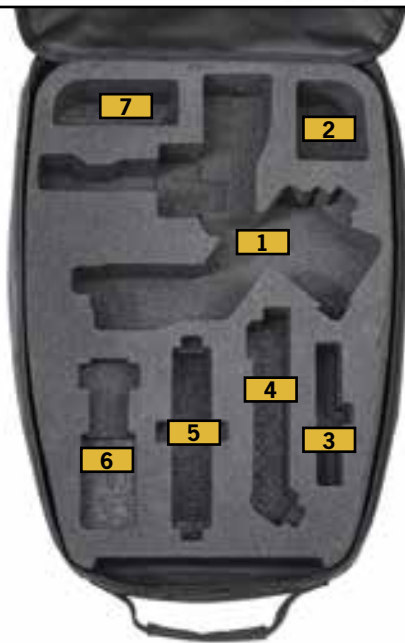
**Temperature rating:**  
Minimum -40°C -40°F      Maximum +80°C +176°F



## TECHNICAL DRAWING



# HPRC Bag for DJI RS 2 Pro Combo RS2-BAG35-01



- 1 Gimbal
- 2 Cable/Miscellaneous
- 3 Quick-Release Plate (Arca-Swiss/Manfrotto)
- 4 Briefcase Handle
- 5 BG30 Grip/ Extended Grip/Tripod (Metal)
- 6 Phone Holder
- 7 Cable/Miscellaneous



## TECHNICAL FEATURES

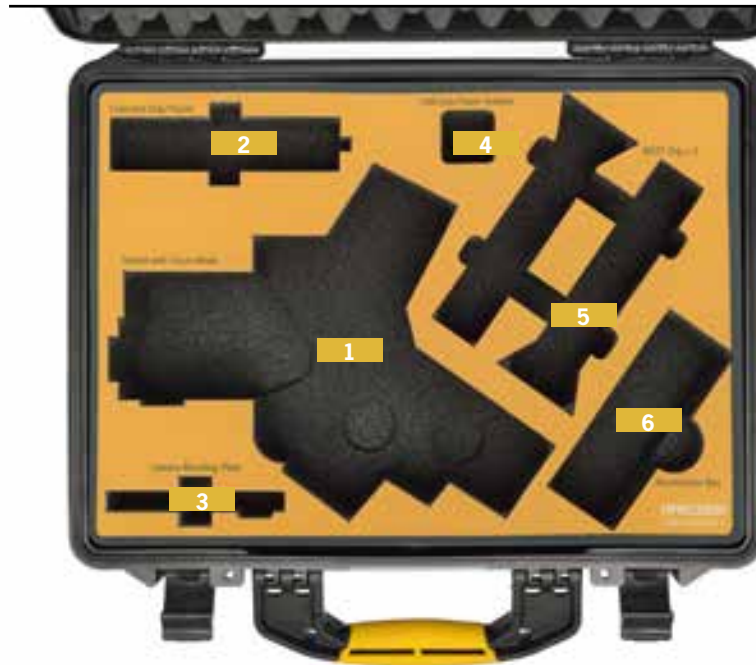
**Dimension:**  
 internal dimension 433x319x169(mm) - 17.05x12.56x6.65(in)  
 external dimension 498x370x185(mm) - 19.61x14.57x7.28(in)



# HPRC2500 for DJI Ronin S ROS2500-01



FOR DJI RONIN-S



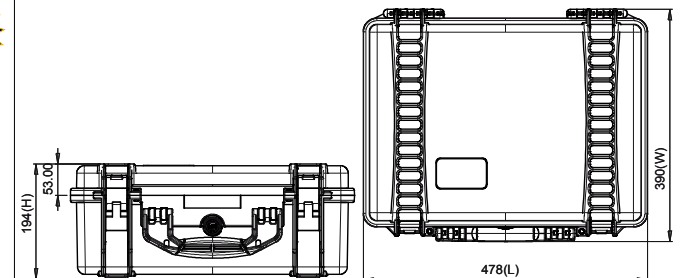
- 1 Gimbal with Focus Wheel
- 2 Extended Grip/Tripod
- 3 Camera Mounting Plate
- 4 24W Usb Power Adapter
- 5 BG37 Grip x 2
- 6 Accessories Box

## TECHNICAL FEATURES

**Dimension:**  
 internal dimension 450x323x175(mm) - 17.72x12.72x6.89(in)  
 external dimension 478x390x194(mm) - 18.82x15.35x7.64(in)

**Weight:**  
 3,71kg - 8.18lbs

**Temperature rating:**  
 Minimum -40°C -40°F      Maximum +80°C +176°F



# HPRC2550W for DJI Ronin S ROS2550W-01



FOR DJI RONIN-S



- 1 Gimbal with Focus Wheel
- 2 Extended Grip/Tripod
- 3 Camera Mounting Plate
- 4 24W Usb Power Adapter
- 5 BG37 Grip x 3
- 6 Accessories Box
- 7 Lens
- 8 Panasonic Gh5 / Sony Alpha 7 camera body

## TECHNICAL FEATURES

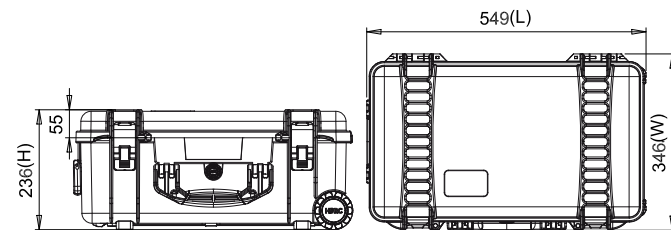
**Dimension:**  
 internal dimension  
 513x288x200(mm) - 20.19x11.34x7.87(in)  
 external dimension  
 549x346x236(mm) - 21.61x13.62x9.29(in)

**Weight:**  
 empty: 4.35kg - 9.57lbs

**Temperature rating:**  
 Minimum Maximum  
 -40°C -40°F +80°C +176°F



## TECHNICAL DRAWING



# HPRC3500 for DJI Ronin S ROS3500-01



FOR DJI RONIN-S



- 1 Gimbal with Focus Wheel
- 2 Extended Grip/Tripod
- 3 Camera Mounting Plate
- 4 24W Usb Power Adapter
- 5 BG37 Grip x 2
- 6 Accessories Box

## TECHNICAL FEATURES

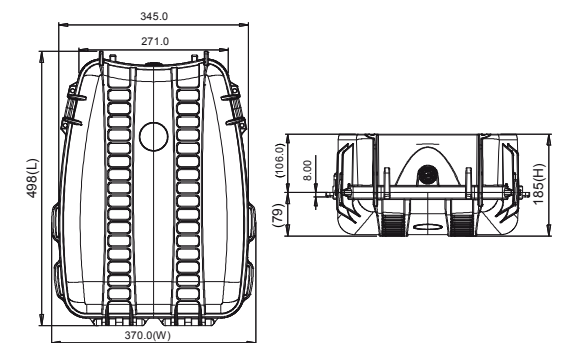
**Dimension:**  
 internal dimension  
 433x319x169(mm) - 17.05x12.56x6.65(in)  
 external dimension  
 498x370x185(mm) - 19.61x14.57x7.28(in)

**Weight:**  
 3.55kg - 7.82lbs

**Temperature rating:**  
 Minimum Maximum  
 -40°C -40°F +80°C +176°F



## TECHNICAL DRAWING





**READY**



# HPRC2730W for DJI Ronin MX RMX2730W-01



- 1 DJI Ronin-MX Transmitter (Controller)
- 2 DJI Ronin-MX Gimbal
- 3 4x Spare Batteries
- 4 2x Charger
- 5 2x Side Handles
- 6 Top Handle Bar
- 7 Tuning Stand
- 8 Camera Mounting Plate



## TECHNICAL FEATURES

**Dimension:**  
 internal dimension 509x460x316(mm) - 20.04x18.11x12.44(in)  
 external dimension 620x520x350(mm) - 24.41x20.47x13.78(in)

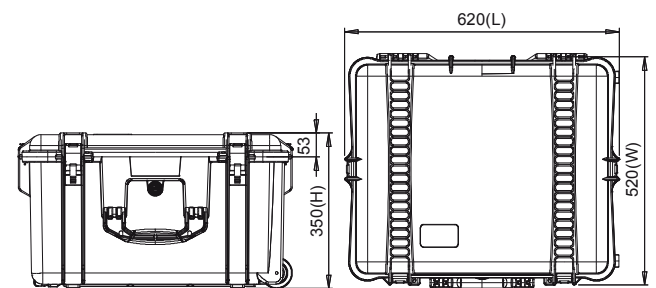
lid: 45(mm) - 1.77(in) bottom: 271(mm) - 10.66(in)

**Weight:**  
 empty: 7,55kg - 16.64lbs  
 with cubed foam: 10,43kg - 22.99lbs

**Temperature rating:**  
 Minimum -40°C -40°F      Maximum +80°C +176°F

**Colors:**  
 Black

## TECHNICAL DRAWING





READY

# HPRC2700W for DJI Ronin M ROM2700W-01



- 1 Ronin-M Transmitter (Controller)
- 2 Ronin-M Gimbal
- 3 2x Side Handles
- 4 Cables/Screws/Small Accessories
- 5 Top Handle Bar
- 6 Cables/Screws/Accessories
- 7 Tuning Stand
- 8 3x Spare Batteries
- 9 2x Charger
- 10 Camera Mounting Plate
- 11 7" Field Monitor



**Dimension:** **internal dimension**  
555x460x256(mm) - 21,85x18,1x10,08(in)  
**external dimension**  
620x520x275(mm) - 24,41x20,47x10,83(in)

**lid:** 46(mm) - 1,81(in) **bottom:** 210(mm) - 8,27(in)

**Weight:** **empty:** 7,55kg - 16,65lbs  
**with foam:** 8,68 KG / 19,14lbs

**Temperature rating:** Minimum -40°C -40°F Maximum +80°C +176°F



HPRC DJI RONIN-M TRANS.



**READY**

# HPRC2730W for DJI Robomaster S1 ROB-2730W-01



- 1** Robomaster
- 2** Tablet up to 12,9"
- 3** Charger Cable
- 4** Battery
- 5** Protective Glasses
- 6** Gel Beads Container
- 7** Gel Beads Bottle
- 8** Cup
- 9** Gamepad
- 10** Tape
- 11** Miscellaneous\Small Accessories
- 12** Battery Charger
- 13** Vision Markers (Cardboard Signs)



HPRC DJI ROBOMASTER S1

### TECHNICAL FEATURES

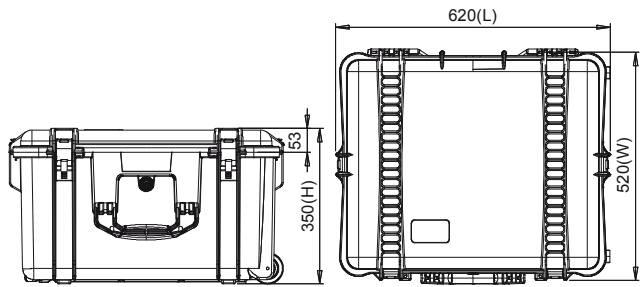
**Dimension:**  
 internal dimension  
 509x460x316(mm) - 20.04x18.11x12.44(in)  
 external dimension  
 620x520x350(mm) - 24.41x20.47x13.78(in)

**Weight:**  
 10,43kg - 22.99lbs

**Temperature rating:**  
 Minimum Maximum  
 -40°C -40°F +80°C +176°F



### TECHNICAL DRAWING







AUTEL ROBOTICS

SPECIAL CASES 2021

## HPRC2400 Autel Robotics EVO II 6K / 8K Drone EVO2-2400-02



- 1 Autel Robotics EVO II 8K Drone
- 2 Remote Controller
- 3 Battery Charging Hub
- 4 Flight Battery
- 5 Cable/Propellers/Accessories
- 6 Micro USB Cable
- 7 Charger



HPRC AUTEL ROBOTICS

### TECHNICAL FEATURES

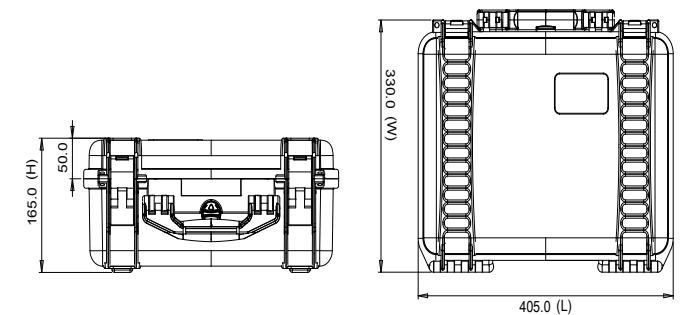
**Dimension:**  
 Internal dimension  
 380x266x152(mm) - 14.96x10.47x5.98(in)  
 External dimension  
 405x330x170(mm) - 15.94x12.99x6.69(in)

**Weight:**  
 2,38kg - 5.25lbs

**Temperature rating:**  
 Minimum      Maximum  
 -40°C -40°F      +80°C +176°F



### TECHNICAL DRAWING





ATOMOS

SPECIAL CASES 2021

# HPRC2300 for Atomos Ninja V NJAV-2300-01



- 1 Ninja Atomos V with AtomX SSD mini and Battery mounted
- 2 Ninja V Sunhood
- 3 Battery
- 4 12V-3A AC Power Supply
- 5 Cables/Miscellaneous
- 6 3 Master Caddy II
- 7 Lector docking station USB-C 3.1
- 8 Battery Eliminator
- 9 Power kit Atomos

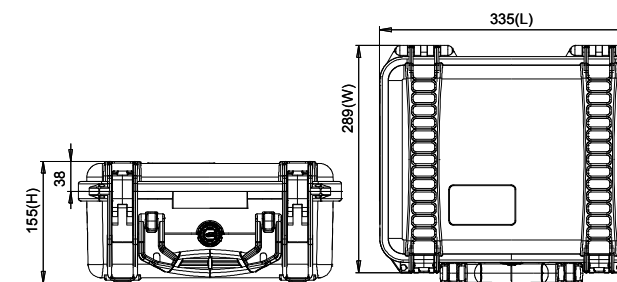
## TECHNICAL FEATURES

**Dimension:**  
 Internal dimension  
 304x231x137(mm) - 11.97x9.09x5.39(in)  
 External dimension  
 335x289x155(mm) - 13.19x11.38x6.10(in)

**Weight:**  
 1,90kg - 4.19lbs

**Temperature rating:**  
 Minimum Maximum  
 -40°C -40°F +80°C +176°F

## TECHNICAL DRAWING





 READY

# HPRC2400 Atomos Shogun 7 + Accessory Kit SHG7-2400-01



- 1 Atomos Shogun 7
- 2 USB 3.0 docking station
- 3 International Adapter
- 4 Cable
- 5 Fast charger
- 6 NP-F750 5200mAh Batteries
- 7 HDR Sunhood
- 8 Master Caddy II drive caddies
- 9 AC Power Adapter
- 10 Miscellaneous Accessories



## TECHNICAL FEATURES

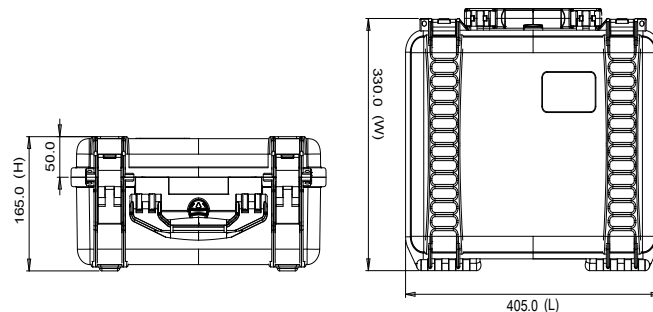
**Dimension:**  
 Internal dimension  
 380x266x152(mm) - 14.96x10.47x5.98(in)  
 External dimension  
 405x330x170(mm) - 15.94x12.99x6.69(in)

**Weight:**  
 2,38kg - 5.25lbs

**Temperature rating:**  
 Minimum Maximum  
 -40°C -40°F +80°C +176°F



## TECHNICAL DRAWING



# HPRC2730W for Atomos Sumo19

## SM19-2730W-01



- 1** Atomos Sumo 19" Monitor Recorder
- 2** Atomos Sunhood

- 3** Charger
- 4** 3 Master caddy II
- 5** DM-130A Gold Mount Mini Battery or similar
- 6** D-4BA Battery Extender or similar

### TECHNICAL FEATURES

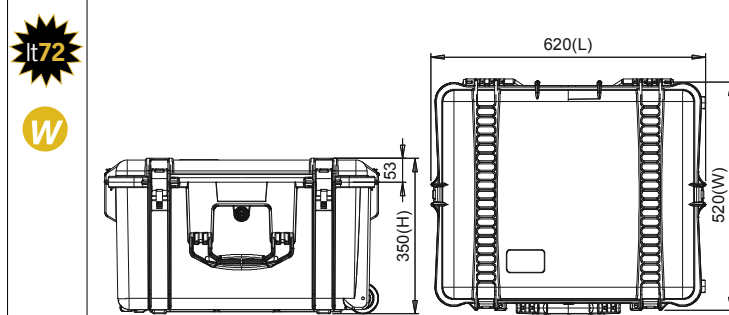
**Dimension:**  
 internal dimension 509x460x316(mm) - 20.04x18.11x12.44(in)  
 external dimension 620x520x350(mm) - 24.41x20.47x13.78(in)  
 lid: 45(mm) - 1.77(in) bottom: 271(mm) - 10.66(in)

**Weight:**  
 empty: 7,55kg - 16.64lbs  
 with cubed foam: 10,43kg - 22.99lbs

**Temperature rating:**  
 Minimum Maximum  
 -40°C -40°F +80°C +176°F

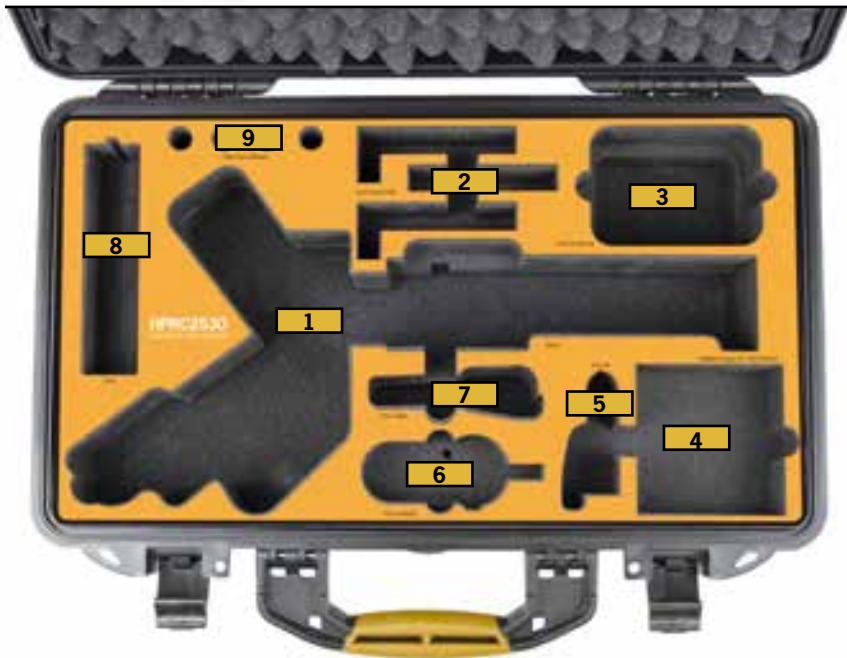
**Colors:**  
 Black

### TECHNICAL DRAWING



HPRC ATOMOS SUMO 19

# HPRC2530 for Moza Air2 Ifocus MAIR2-2530-01



- 1 Gimbal
- 2 Quick Release Plate
- 3 Cable storage bag
- 4 Intelligent Charger and 18650 batteries
- 5 Ifocus M
- 6 Ifocus Handunit
- 7 Ifocus Motor
- 8 Tripod
- 9 Follow focus install pipe



MOZA

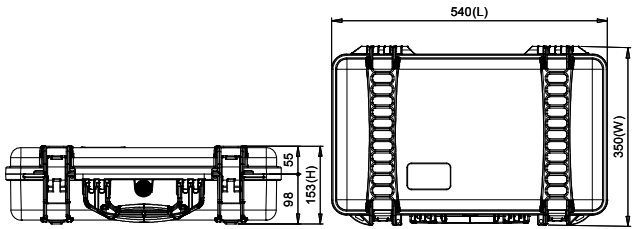
SPECIAL CASES 2021

### TECHNICAL FEATURES

**Dimension:**  
 internal dimension 513x288x132(mm) - 20.20x11.34x5.20(in)  
 external dimension 540x350x153(mm) - 21.26x13.78x6.02(in)

**Weight:**  
 3,26kg - 7.19lbs

**Temperature rating:**  
 Minimum -40°C -40°F      Maximum +80°C +176°F



HPRC MOZA AIR2 IFOCUS



ZHIYUN CRANE

SPECIAL CASES 2021

## HPRC2600W for ZHIYUN Crane 3 Lab CR3-2600W-01



- 1 Crane 3 Lab Stabilizer
- 2 TransMount Handheld Tripod
- 3 Battery Charger
- 4 Batteries 18650
- 5 Cable Storage Case
- 6 Quick Release Plate
- 7 TransMount Phone Holder



HPRC ZHIYUN CRANE 3 LAB

### TECHNICAL FEATURES

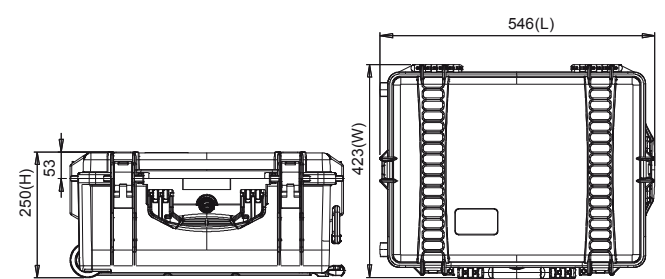
**Dimension:**  
 Internal dimension  
 482x358x218(mm) - 18.98x14.09x8.58(in)  
 External dimension  
 546x423x250(mm) - 21.05x16.65x9.84(in)

**Weight:**  
 6,97kg - 15.37lbs

**Temperature rating:**  
 Minimum            Maximum  
 -40°C -40°F        +80°C +176°F



### TECHNICAL DRAWING



HPRC2700W for ZHIYUN Crane 3 Lab Master package  
**CR3-2700W-01**



- 1 Crane 3 Lab Stabilizer
- 2 Handheld Tripod
- 3 Battery Charger
- 4 Cable Storage Case
- 5 Quick Setup Kits
- 6 Telescopic Monopod with Locking Buckle and Multifunctional Camera Belt
- 7 Phone Holder with Crown Gear
- 8 Miscellaneous
- 9 Batteries 18650
- 10 Focus and Zoom Combo Kits
- 11 Cable
- 12 Quick Release Base Plate
- 13 Quick Release Plate
- 14 HPRC1100 (not included)



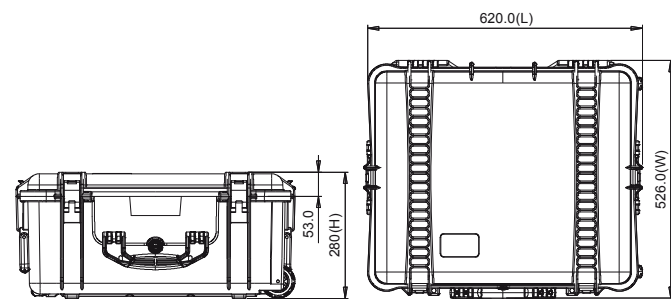
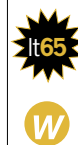
**TECHNICAL FEATURES**

**Dimension:**  
 Internal dimension  
 555x459x256(mm) - 21.85x18.07x10.08(in)  
 External dimension  
 620x525x280(mm) - 24.41x20.67x11.02(in)

**Weight:**  
 9,07kg - 19.99lbs

**Temperature rating:**  
 Minimum Maximum  
 -40°C -40°F +80°C +176°F

**TECHNICAL DRAWING**







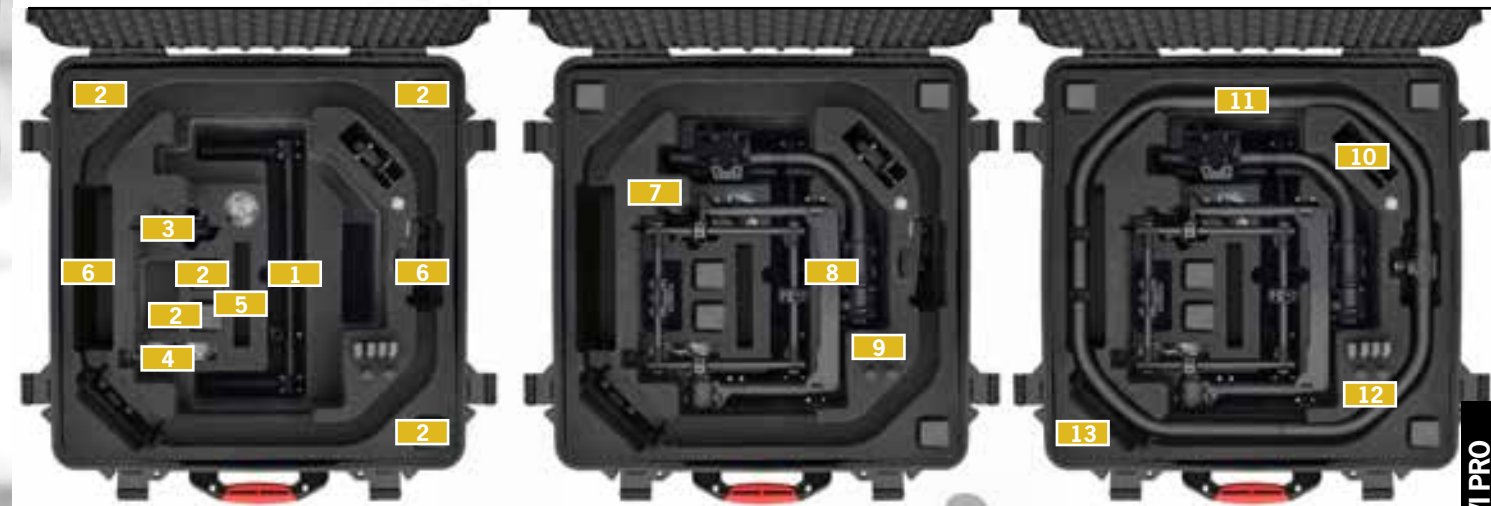
FREEFLY

SPECIAL CASES 2021

## HPRC4600W for Freely Movi Pro FFS-4600W-02



MōVI PRO



- 1 Mimic / Classic Handle
- 2 Battery
- 3 Mimic Antenna
- 4 Rolls
- 5 Miscellaneous
- 6 MōVI Ring Pro with mounted feet

- 7 Cables
- 8 Main Gimbal
- 9 Plastic rings for MōVI Ring Pro

- 10 MōVI Pro Low Profile Handle
- 11 MōVI Ring Pro with mounted feet
- 12 Freely Hex Driver - 2.0+2.5MM
- 13 Battery Charger



### TECHNICAL FEATURES

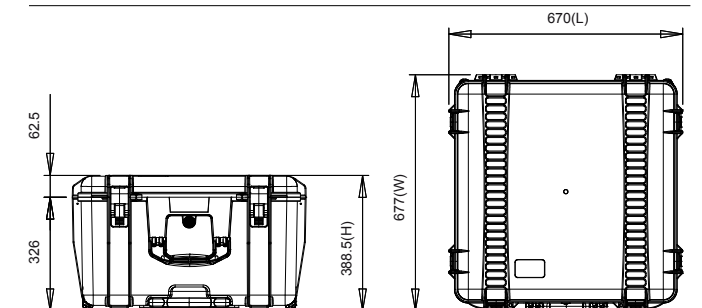
**Dimension:**  
 Internal dimension  
 611x611x345(mm) - 24.05x24.05x13.58(in)  
 External dimension  
 670x677x388.5(mm) - 26.38x26.65x15.3(in)

**Weight:**  
 with foam: 14.30kg - 31.52lbs

**Temperature rating:**  
 Minimum Maximum  
 -40°C -40°F +80°C +176°F



### TECHNICAL DRAWING



HPRC FREEFLY MōVI PRO



YUNEEC

SPECIAL CASES 2021

# HPRC4600W for Yuneec Typhoon H TYH-4600W-01



- 1 Yuneec Typhoon H
- 2 Spare Battery
- 3 Remote Controller
- 4 2 Kits of Spare Props
- 5 Transformer
- 6 Charger
- 7 Miscellaneous Accessories
- 8 Small Accessories / Cables
- 9 Small Tools
- 10 Sunshade



HPRC YUNEEC TYPHOON H

## TECHNICAL FEATURES

**Dimension:**  
 internal dimension 611x611x345(mm) - 24.05x24.05x13.58(in)  
 external dimension 670x677x388.5(mm) - 26.38x26.65x15.3(in)

lid: 55.5(mm) - 2.18(in) bottom: 289(mm) - 11.37(in)

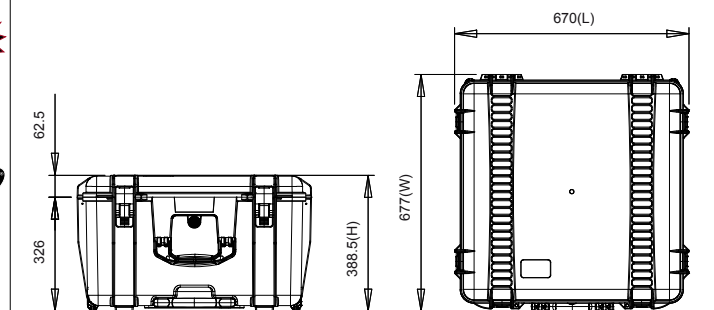
**Weight:**  
 12,5kg - 27.55lbs

**Temperature rating:**  
 Minimum Maximum  
 -40°C -40°F +80°C +176°F

**Colors:**  
 Black



## TECHNICAL DRAWING





QYSEA

SPECIAL CASES 2021



# HPRC2710 for Qysea Fifish V6 FIV6-2710-01



- 1 FIFISH V6 Underwater Robot
- 2 Immersive VR Upgrade
- 3 Remote Controller
- 4 Kevlar Tether, Robot/Control Charger



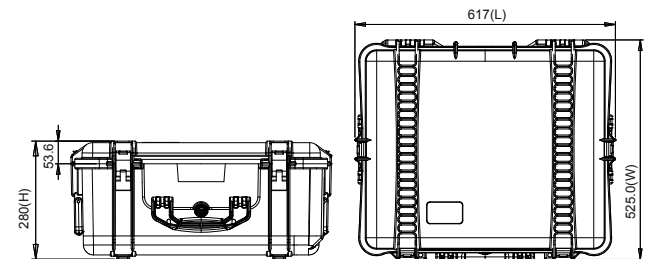
## TECHNICAL FEATURES

**Dimension:**  
 Internal dimension  
 555x459x256(mm) - 21.85x18.07x10.08(in)  
 External dimension  
 617x525x280(mm) - 24.29x20.67x11.02(in)

**Weight:**  
 6.71kg - 14.76lbs

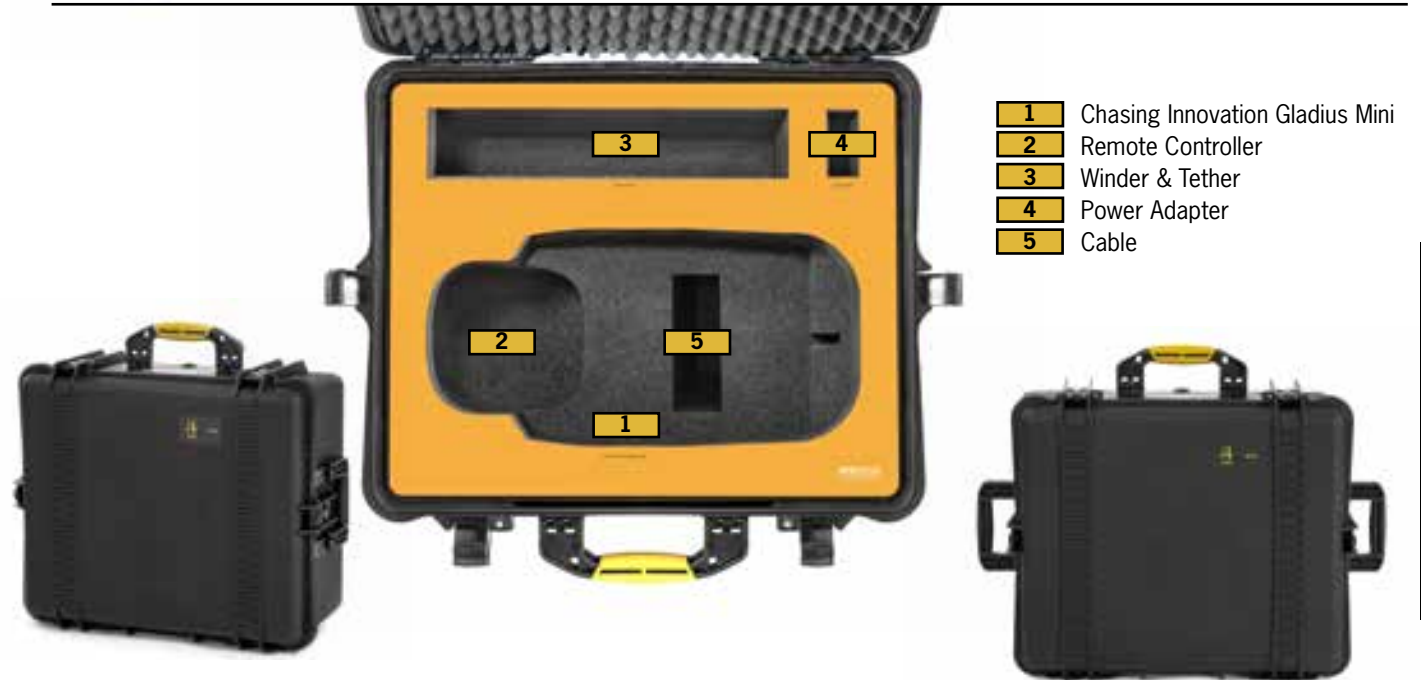
**Temperature rating:**  
 Minimum Maximum  
 -40°C -40°F +80°C +176°F

## TECHNICAL DRAWING





HPRC2710 for Chasing Innovation Gladius Mini Rev. 2  
**GLA2710-02**



**TECHNICAL FEATURES**

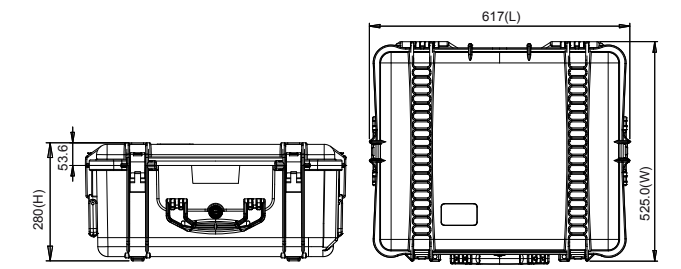
**Dimension:**  
 Internal dimension  
 555x459x256(mm) - 21.85x18.07x10.08(in)  
 External dimension  
 617x525x280(mm) - 24.29x20.67x11.02(in)

**Weight:**  
 6.71kg - 14.76lbs

**Temperature rating:**  
 Minimum Maximum  
 -40°C -40°F +80°C +176°F



**TECHNICAL DRAWING**



HPRC GLADIUS MINI

# HPRC2710 for Chasing M2 Rov

## M2R-2710-01



- 1 Drone
- 2 O-rings
- 3 Winder & Tether
- 4 Power Cord & 3 in 1 Charger
- 5 Towel
- 6 Remote Controller
- 7 Battery



### TECHNICAL FEATURES

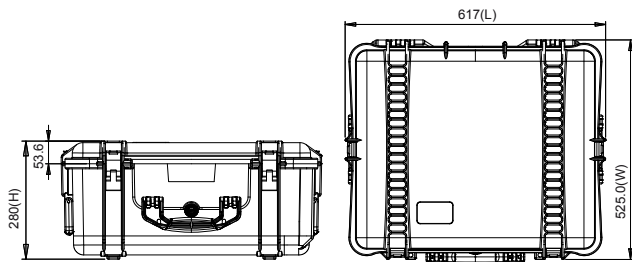
**Dimension:**  
 Internal dimension  
 555x459x256(mm) - 21.85x18.07x10.08(in)  
 External dimension  
 617x525x280(mm) - 24.29x20.67x11.02(in)

**Weight:**  
 6.71kg - 14.76lbs

**Temperature rating:**  
 Minimum Maximum  
 -40°C -40°F +80°C +176°F



### TECHNICAL DRAWING





SPECIAL CASES 2021

## HPRC2730W for Blackmagic Ursa Mini Pro/Broadcast URS2730W-03



- 1 BlackMagic Ursa Mini Pro / Broadcast with shoulder pad and top handle mounted
- 2 Tripod Plate
- 3 Shoulder Mount kit - Rods clamps
- 4 Batteries
- 5 Lens
- 6 Accessories / Cables
- 7 HPRC1100 Memory card holder for CFast/SDHC cards
- 8 Charger standard and Charger SWIT S-3802S



HPRC BLACKMAGIC URSA MINI PRO

### TECHNICAL FEATURES

**Dimension:**  
 internal dimension 509x460x316(mm) - 20.04x18.11x12.44(in)  
 external dimension 620x520x350(mm) - 24.41x20.47x13.78(in)

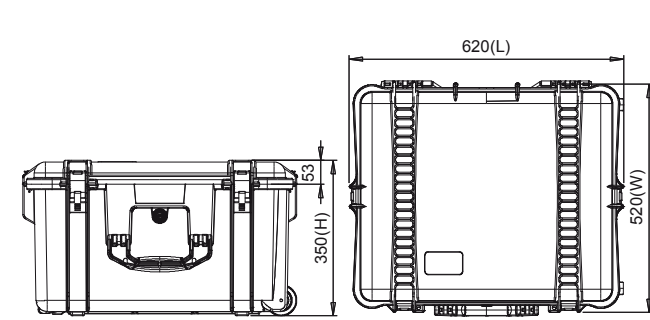
lid: 45(mm) - 1.77(in) bottom: 271(mm) - 10.66(in)

**Weight:**  
 empty: 7,55kg - 16.64lbs  
 with cubed foam: 10,43kg - 22.99lbs

**Temperature rating:**  
 Minimum Maximum  
 -40°C -40°F +80°C +176°F

**Colors:**  
 Black

### TECHNICAL DRAWING



# HPRC2400 for BLACKMAGIC Pocket 6K + Metabones PKT6-2400-01



# HPRC2400 for Blackmagic Pocket Camera 4K PKT2400-01



- 1** Cinema Blackmagic Pocket 6K with or without professional cage and Metabones mounted
- 2** Lenses: Diameter Max 90mm x Length Max 220mm
- 3** International Adapters
- 4** LP-E6 Battery
- 5** 30W power supply
- 6** HPRC1100MEM



- 1** Camera Blackmagic Pocket 4K
- 2** Batteries
- 3** Wise Portable 512 GB
- 4** HPRC1100Mem
- 5** 30W Power Supply with international adapters
- 6** International adapters
- 7** Lens: Olympus M. Zuiko Digital ED 12-40mm F28 Pro

## TECHNICAL FEATURES

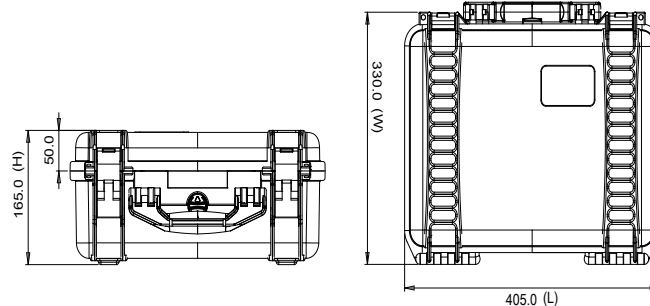
**Dimension:**  
internal dimension  
380x266x152(mm) - 14.96x10.47x5.98(in)  
external dimension  
405x330x170(mm) - 15.94x12.99x6.69(in)

**Weight:**  
2,38kg - 5.25lbs

**Temperature rating:**  
Minimum Maximum  
-40°C -40°F +80°C +176°F



## TECHNICAL DRAWING



## TECHNICAL FEATURES

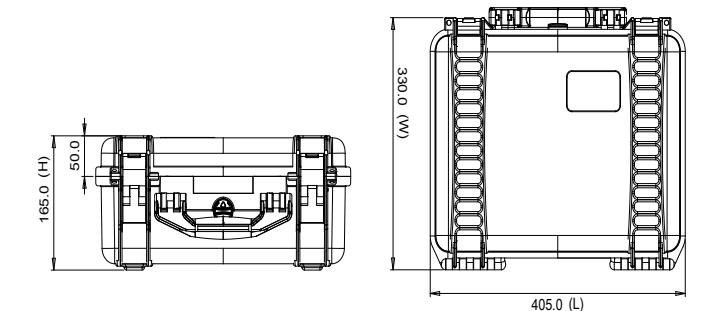
**Dimension:**  
internal dimension  
380x266x152(mm) - 14.96x10.47x5.98(in)  
external dimension  
405x330x170(mm) - 15.94x12.99x6.69(in)

**Weight:**  
2,38kg - 5.25lbs

**Temperature rating:**  
Minimum Maximum  
-40°C -40°F +80°C +176°F



## TECHNICAL DRAWING




# HPRC2710 for Blackmagic Atem 1 M/E ADV1-2710-01

Blackmagicdesign 



**1** Blackmagic Design Atem 1 M/E Advanced Panel



<b>Dimension:</b>	<b>internal dimension</b> 555x459x256(mm) - 21.85x18.07x10.08(in)	
	<b>external dimension</b> 617x525x280(mm) - 24.29x20.67x11.02(in)	
	<b>lid:</b> 45(mm) - 1.77(in) <b>bottom:</b> 211(mm) - 8.30(in)	
<b>Weight:</b>	7.75kg - 17.08lbs	
<b>Temperature rating:</b>	Minimum -40°C -40°F	Maximum +80°C +176°F



HPRC BLACKMAGIC ATEM 1 M/E





SONY

SPECIAL CASES 2021

# HPRC2460 for Sony Alpha 7 ALP2460-01



FOR SONY ALPHA 7

HPRC2460 for ALPHA 7 is a special edition, designed to safely carry your SONY Alpha Series.



- 1 Sony A7/A7R/A7S/A7II/A7RII/A7SII/a6300 with or without professional cage and lenses mounted (EF/F/PL-Mount/Leica R)
- 2 Lenses: Sony FE 50/1.4, 50/2,8 Macro, 24-70/2.8 G, 85/1,4 G, 16-35/4, 24-70/4, 28-70/3.5-5.6, 28/2.0 - SONY ZA 35/2.8, 35/1.4, 50/1.4, 50/1,8 55/1.8/ 10-18/4 - Zeiss Loxia 21/2.8, 35/2.0, 50/2.0
- 3 Battery chargers, cables
- 4 Accessories (baseplate, rods, top grip handles, lockports, cables, batteries, controllers, GoPro)
- 5 external recorder Atomos/Sound Device etc

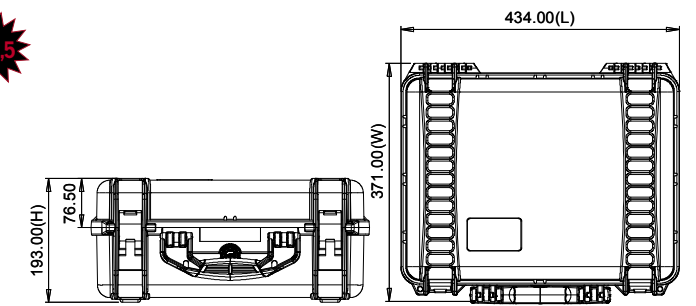


## TECHNICAL FEATURES

**Dimension:**  
 internal dimension 409x306x175(mm) - 16.10x12.05x6.89(in)  
 external dimension 434x371x193(mm) - 17.09x14.61x7.60(in)

**Weight:**  
 3,14kg - 6.92lbs

**Temperature rating:**  
 Minimum Maximum  
 -40°C -40°F +80°C +176°F



HPRC SONY ALPHA 7

# HPRC2600W for Sony PXW-Z280 Z280-2600W-01



- 1 Sony Camcorder PXW-Z280
- 2 Cables/Accessories/Miscellaneous
- 3 Battery Sony BPU – U60
- 4 Compact 4K Wide Conversion
- 5 Microphone



## TECHNICAL FEATURES

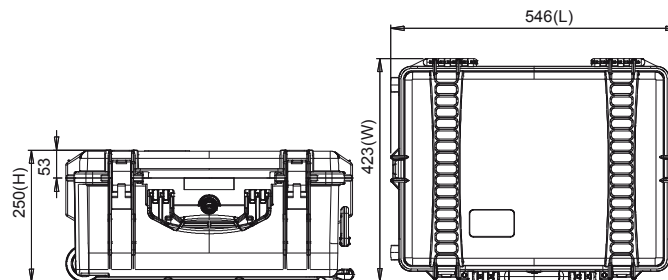
**Dimension:**  
Internal dimension  
482x358x218(mm) - 18.98x14.09x8.58(in)  
External dimension  
546x423x250(mm) - 21.05x16.65x9.84(in)

**Weight:**  
6,97kg - 15.37lbs

**Temperature rating:**  
Minimum Maximum  
-40°C -40°F +80°C +176°F



## TECHNICAL DRAWING



# HPRC2700W for Sony PXW-Z190V Z190-2700W-01



**SONY**  
PXWZ190V

- 1 Sony Camcorder PXW-Z190VC
- 2 BC-U1 battery charger
- 3 Battery Sony BPU \Swit S-8U63
- 4 Microphone
- 5 Wireless Audio Set Sony UWP-D11/K51PRO
- 6 Cables/Accessories/Miscellaneous



## TECHNICAL FEATURES

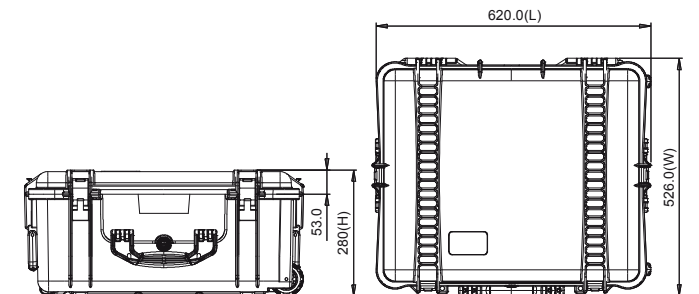
**Dimension:**  
Internal dimension  
555x459x256(mm) - 21.85x18.07x10.08(in)  
External dimension  
620x525x280(mm) - 24.41x20.67x11.02(in)

**Weight:**  
9,07kg - 19.99lbs

**Temperature rating:**  
Minimum Maximum  
-40°C -40°F +80°C +176°F



## TECHNICAL DRAWING



# HPRC2730W for Sony PXW-ZFS7 FS7-2730W-01



- 1 Sony PXW-ZFS7
- 2 Viewfinder
- 3 Sony PXW-FS7 FS7 Grip
- 4 HPRC1300 MEMBLB
- 5 VCT-FS7 Lightweight Rod Support System
- 6 19mm Quick Release
- 7 Miscellaneous
- 8 Rods 9/15/19 mm
- 9 Genlock XDCAFS7
- 10 Charger
- 11 Battery
- 12 Monitor
- 13 Lens 100mm
- 14 Lens 24/70mm
- 15 Box for Metabones PL – E mount T
- 16 Box for Metabones Canon EF Lens to Sony E - mount T



## TECHNICAL FEATURES

**Dimension:**  
 internal dimension  
 509x460x316(mm) - 20.04x18.11x12.44(in)  
 external dimension  
 620x520x350(mm) - 24.41x20.47x13.78(in)

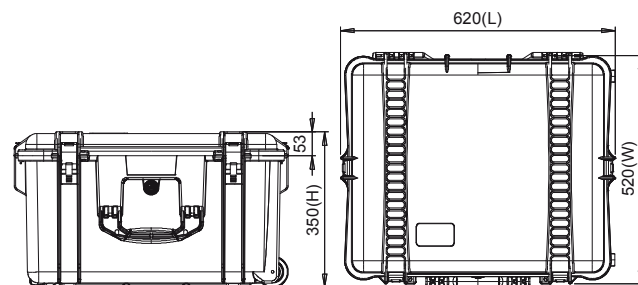
**Weight:**  
 10,43kg - 22.99lbs

**Temperature rating:**  
 Minimum Maximum  
 -40°C -40°F +80°C +176°F



W

## TECHNICAL DRAWING



# HPRC2700W for Sony PXW-FX9 FX9-2700W-01



**SONY**  
PXW-FX9



- 1 Sony Camcorder
- 2 Viewfinder LCD
- 3 External Microphone
- 4 Battery Sony BP-U Series
- 5 Lens Adapter Metabones
- 6 Sony XQD/SD Card
- 7 Canon CNE Prime Lens
- 8 Cine Lenses up to 105mm Ø
- 9 Photo Lenses up to 105mm Ø
- 10 Hand Grip
- 11 Cable
- 12 Charger
- 13 HPRC1100 MEMBLB

## TECHNICAL FEATURES

**Dimension:**  
 Internal dimension  
 555x459x256(mm) - 21.85x18.07x10.08(in)  
 External dimension  
 620x525x280(mm) - 24.41x20.67x11.02(in)

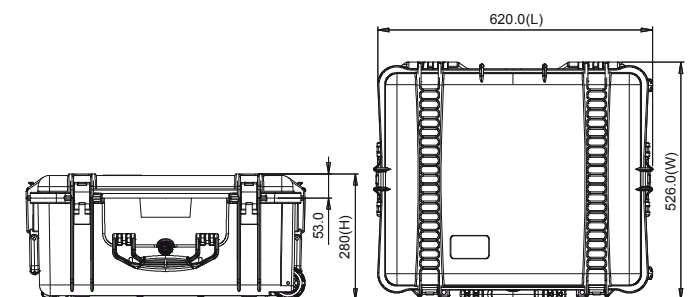
**Weight:**  
 9,07kg - 19.99lbs

**Temperature rating:**  
 Minimum Maximum  
 -40°C -40°F +80°C +176°F



W

## TECHNICAL DRAWING



# HPRC2730W for Sony Venice

## VEN2730W-01



- 1 Sony Venice With Axs-R7 Mounted
- 2 Axs Memory And Sxs Memory Axs-Ar1
- 3 Lanparte Universal Grip Ug-02
- 4 Accessories/Air Evf Mount
- 5 Micellaneous
- 6 Power Supply V-Lock Pc2l
- 7 Battery V-Lock B100usb/B230usb
- 8 Viewfinder Dvf-EI200
- 9 Hprc1300 Sxs
- 10 Shoulder Mount Accessory Vct-Fsa5
- 11 Tripod Place
- 12 Shoulder Mount Rods



**READY**

### TECHNICAL FEATURES

**Dimension:**  
 internal dimension 509x460x316(mm) - 20.04x18.11x12.44(in)  
 external dimension 620x520x350(mm) - 24.41x20.47x13.78(in)

lid: 45(mm) - 1.77(in) bottom: 271(mm) - 10.66(in)

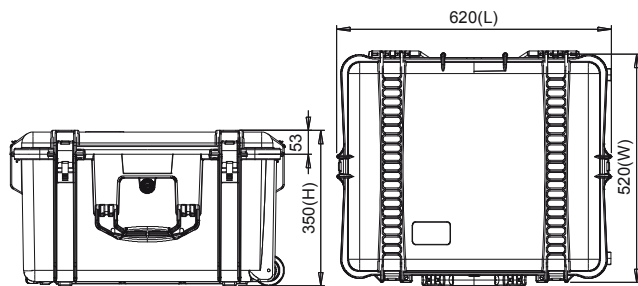
**Weight:**  
 empty: 7,55kg - 16.64lbs  
 with cubed foam: 10,43kg - 22.99lbs

**Temperature rating:**  
 Minimum Maximum  
 -40°C -40°F +80°C +176°F

**Colors:**  
 Black



### TECHNICAL DRAWING





Z CAM

SPECIAL CASES 2021

## HPRC2400 for Z CAM E2-F6 Full Frame 6K Cinema Camera ZE2F6-2400-01



- 1 Z CAM E2-F6 Full Frame 6K Cinema Camera with SmallRig Cage mounted
- 2 Alternative Lens Mount
- 3 Accessories
- 4 Charger
- 5 Cable
- 6 NF-P Battery
- 7 CFast 2.0
- 8 WiFi Antenna



HPRC Z CAM E2-F6

### TECHNICAL FEATURES

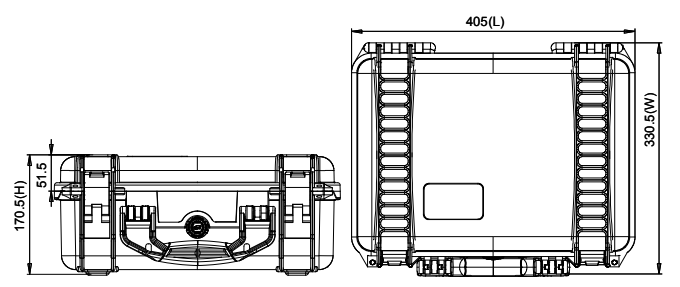
**Dimension:**  
 Internal dimension  
 380x266x152(mm) - 14.96x10.47x5.98(in)  
 External dimension  
 405x330x170(mm) - 15.94x12.99x6.69(in)

**Weight:**  
 2,38kg - 5.25lbs

**Temperature rating:**  
 Minimum Maximum  
 -40°C -40°F +80°C +176°F



### TECHNICAL DRAWING





GOPRO

SPECIAL CASES 2021

# HPRC1400 for GoPro Hero 7 GPR7-1400-01



- 1 Gopro Hero7 with Camera Frame
- 2 Battery
- 3 SD Card Rack
- 4 Cable
- 5 J-Hook Buckle



HPRC GOPRO HERO7

## TECHNICAL FEATURES

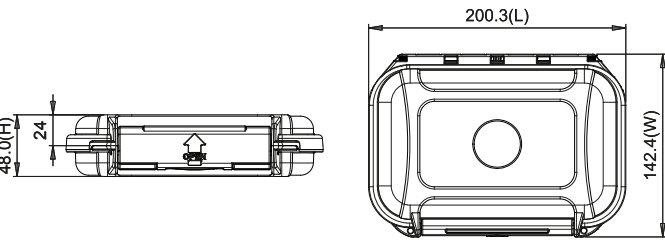
**Dimension:**  
 internal dimension  
 180x110x40(mm) - 7,08x4,33x1,57(in)  
 external dimension  
 200x142x48(mm) - 7,87x5,59x1,88(in)

**Weight:**  
 empty: 0,60kg - 1,32lbs

**Temperature rating:**  
 Minimum Maximum  
 -40°C -40°F +80°C +176°F



## TECHNICAL DRAWING





**HPRC** 2500

**FUJIFILM**

SPECIAL CASES 2021

# HPRC2500 for Fujifilm GFX100 GFX100-2500-01



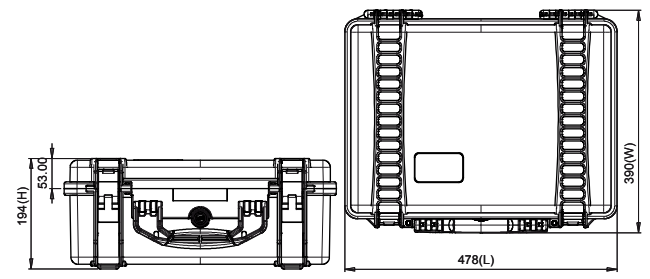
- 1** Fujifilm GFX100
- 2** Cable storage/Miscellaneous
- 3** Adjustable lens: FUJIFILM GF 110mm f/2 R LM WR Lens, 23mm f/4 R LM WR Lens, 45mm f/2.8 R WR Lens, 32-64mm f/4 R LM WR Lens
- 4** Battery charger
- 5** Battery NP-T125
- 6** Ac Power Adapter

## TECHNICAL FEATURES

**Dimension:**  
 internal dimension 450x323x175(mm) - 17.72x12.72x6.89(in)  
 external dimension 478x390x194(mm) - 18.82x15.35x7.64(in)

**Weight:**  
 3,71kg - 8.18lbs

**Temperature rating:**  
 Minimum -40°C -40°F      Maximum +80°C +176°F



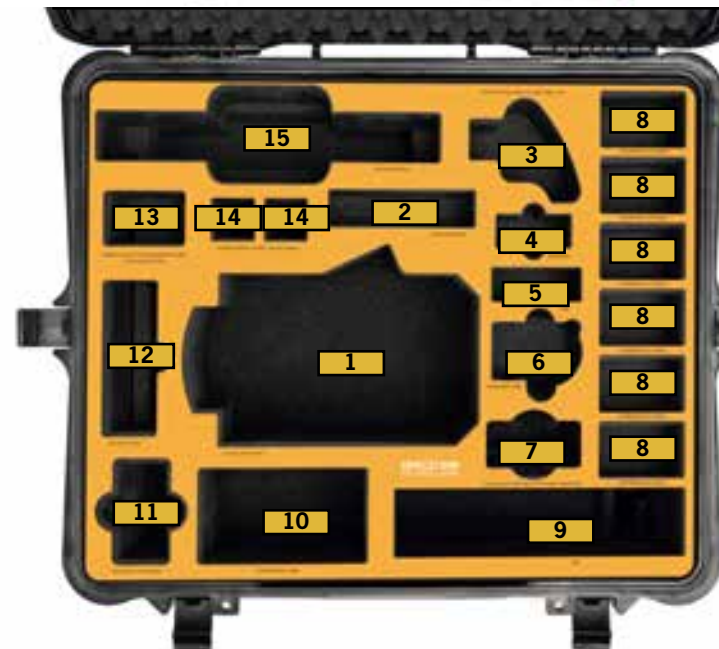
HPRC FUJIFILM GFX100



RED

SPECIAL CASES 2021

# HPRC2730W for Red Ranger Gemini RGE-2730W-01



- 1 Camera with Top Handle
- 2 HPRC1300 MEVBLB
- 3 Right Side Wooden Handle 2.0 with R/S Button - Tilt
- 4 Red Mini Mag
- 5 Cable
- 6 Red Bomb EVF DSMC
- 7 Titan Support Arm with Single 1/4" QR Bracket – Monitor Side
- 8 GDU 98Wh Mini V-Lock Battery
- 9 Cable
- 10 BlueShape Travel Charger
- 11 Red Ranger Ac Power Adaptor
- 12 DSMC2 Red Touch 7.0" LCD
- 13 Smallrig for monitor LCD EVF Mount/BMVA/SmallHD, Zacuto Gratical HD1938
- 14 Smallrig Rosette Arm Handle for Shoulder Stabilizer
- 15 Quick Release Platform



HPRC RED RANGER GEMINI

## TECHNICAL FEATURES

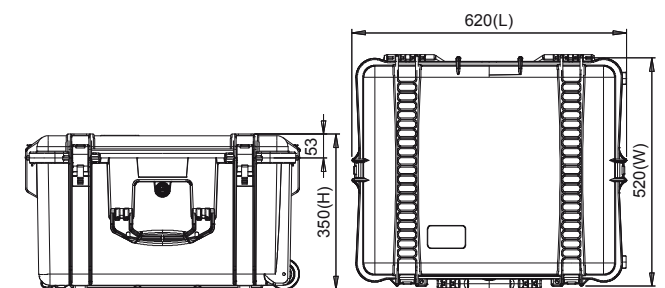
**Dimension:**  
 internal dimension  
 509x460x316(mm) - 20.04x18.11x12.44(in)  
 external dimension  
 620x520x350(mm) - 24.41x20.47x13.78(in)

**Weight:**  
 10,43kg - 22.99lbs

**Temperature rating:**  
 Minimum Maximum  
 -40°C -40°F +80°C +176°F



## TECHNICAL DRAWING







NIKON

SPECIAL CASES 2021

# HPRC2460 for Nikon D850 D850-2460-01



for NIKON D850



- 1 D850 Camera Body
- 2 Additional EN-EL15a Rechargeable Li-ion Battery
- 3 ME-W1 Wireless Microphone
- 4 ME-1 Stereo Microphone
- 5 Atomos Ninja Flame
- 6 Lenses: AF-S NIKKOR 35mm f/1,8G ED / AF-S NIKKOR 85mm f/1.8G / AF-S NIKKOR 20mm f/1,8G ED
- 7 MH-25A Battery Charger/ UC-E22 USB Cable / Coiled HDMI Cable

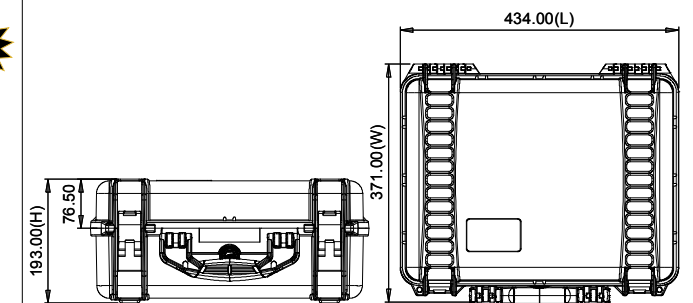
HPRC NIKON D850

## TECHNICAL FEATURES

**Dimension:**  
 internal dimension 409x306x175(mm) - 16.10x12.05x6.89(in)  
 external dimension 434x371x193(mm) - 17.09x14.61x7.60(in)

**Weight:**  
 empty: 2,60kg - 5.73lbs  
 with foam: 3,14kg - 6.92lbs

**Temperature rating:**  
 Minimum Maximum  
 -40°C -40°F +80°C +176°F



# HPRC2460 for Panasonic GH5 GH52460-01



FOR PANASONIC GH5

HPRC2460 for PANASONIC GH5 is a special edition, designed to safely carry your GH5 Lumix G Series.

PANASONIC

SPECIAL CASES 2021



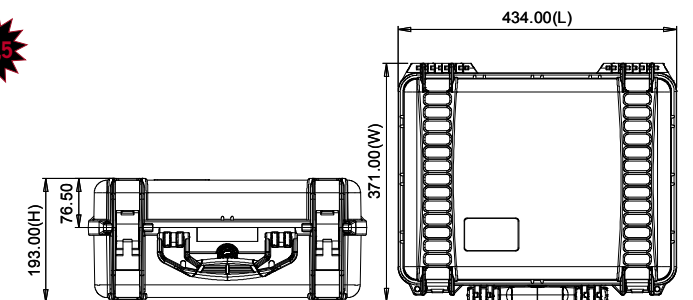
- 1** PANASONIC GH5 with or without professional cage and lenses mounted
- 2** Lenses: LUMIX G 8MM F3,5 (FISHEYE) HD, LUMIX DG SUMMILUX 12 F1.4, LUMIX G PANCAKE 14MM F2.5, LEICA DG SUMMILUX 15mm / F1,7 ASPH, LUMIX G 20MM F1,7 (ASPH), LEICA DG SUMMILUX 25mm F1.4 (ASPH), LUMIX G 25MM F1.7 ASPH., LUMIX G 30MM MACRO F2,8, LEICA DG NOCTICRON 42,5 MM F 1.2 (ASPH) HD, LUMIX G DG 1,7 / 42,5MM ASPH/POWER O.I.S., LEICA DG MACRO-ELMARIT 45MM F2,8 (ASPH), LUMIX G VARIO 7-14MM F4,0 (ASPH) HD, LEICA DG VARIO ELMARIT 8-18, LUMIX G VARIO 12-32MM F3.5F5.6 (ASPH) HD, LUMIX G X VARIO 12-35MM F2,8 (ASPH) HD, LUMIX G X VARIO 12-35 II, LEICA DG VARIO ELMARIT 12-60, LUMIX G VARIO 12-60, LUMIX G VARIO 14-42MM F3,5-5,6 (ASPH) HD, LUMIX G VARIO 14-42MM F3,5-5,6 (ASPH) HD, LUMIX G X VARIO PZ 14-42MM F3,5-5,6 (ASPH), LUMIX G VARIO 14-42MM F3,5-5,6 (ASPH) HD, LUMIX G X VARIO PZ 14-42MM F3,5-5,6 (ASPH), LUMIX G VARIO 14-45MM F3,5-5,6 (ASPH) HD, LUMIX G X VARIO 35-100MM F2,8 HD, LUMIX G X VARIO 35-100 II, LUMIX G VARIO 35-100MM F4,0-5,6, LUMIX G VARIO 45-200 II, LUMIX G 12,5MM F12,5 3D
- 3** Battery chargers, cables
- 4** Accessories (baseplate, rods, top grip handles, lockports, cables, batteries, controllers, GoPro)
- 5** External recorder Atomos/Sound Device etc

## TECHNICAL FEATURES

**Dimension:**  
 internal dimension 409x306x175(mm) - 16.10x12.05x6.89(in)  
 external dimension 434x371x193(mm) - 17.09x14.61x7.60(in)

**Weight:**  
 3,14kg - 6.92lbs

**Temperature rating:**  
 Minimum Maximum  
 -40°C -40°F +80°C +176°F



HPRC PANASONIC GH5



CANON

SPECIAL CASES 2021

# HPRC2600 for Canon Eos C100 C100-2600-01



- 1 Canon Eos C100 With Viewfinder and Camera Grip Mounted
- 2 Handle Unit
- 3 Lenses Ef85mm/16-35/24-70/24-105Mm
- 4 Battery Pack Bp 955
- 5 Battery Pack Bp 975
- 6 Battery Charger Cg-940
- 7 Compact Adaptor Ca-941
- 8 Miscellaneous Accessories
- 9 HPRC1100MEM

## TECHNICAL FEATURES

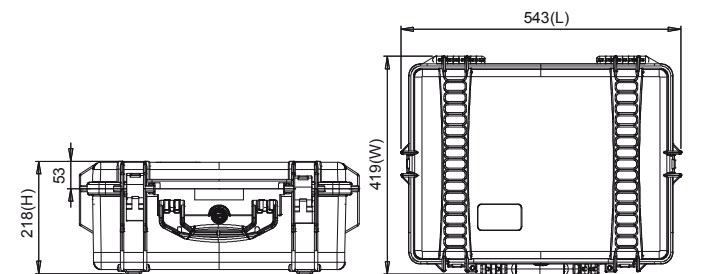
**Dimension:**  
 internal dimension  
 482x358x198(mm) - 18.97x14.09x7.79(in)  
 external dimension  
 543x419x218(mm) - 21.37x16.49x8.58(in)

**Weight:**  
 5,05kg - 11.13lb

**Temperature rating:**  
 Minimum Maximum  
 -40°C -40°F +80°C +176°F



## TECHNICAL DRAWING



HPRC CANON EOS C100

# HPRC2600 for Canon Eos C200

## C200-2600-01



- 1 Canon Eos C200 With Camera Grip Mounted
- 2 Handle Unit Hdu-2
- 3 Monitor Lcd Lm-V1, Lcd La-V1
- 4 Compact Power Adaptor Ca-A10
- 5 Compact Adaptor Cp200b
- 6 Lenses Ef85mm/16-35/24-70/24-105Mm
- 7 HPRC1100MEM
- 8 Battery Pack A30/A60
- 9 Battery Charger A-20
- 10 Miscellaneous Accessories
- 11 Screw
- 12 Allen Key

### TECHNICAL FEATURES

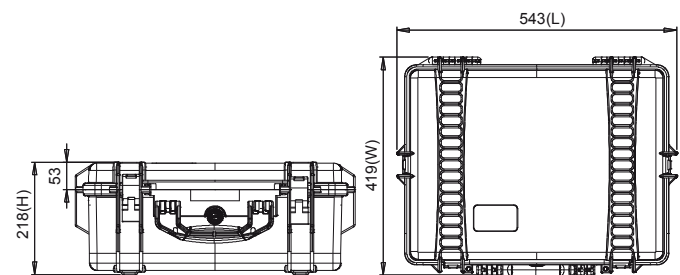
**Dimension:**  
 internal dimension  
 482x358x198(mm) - 18.97x14.09x7.79(in)  
 external dimension  
 543x419x218(mm) - 21.37x16.49x8.58(in)

**Weight:**  
 5,05kg - 11.13lb

**Temperature rating:**  
 Minimum Maximum  
 -40°C -40°F +80°C +176°F



### TECHNICAL DRAWING



READY

HPRC CANON EOS C200



## HPRC2400 for Leica M LEM2400-01



FOR LEICA M



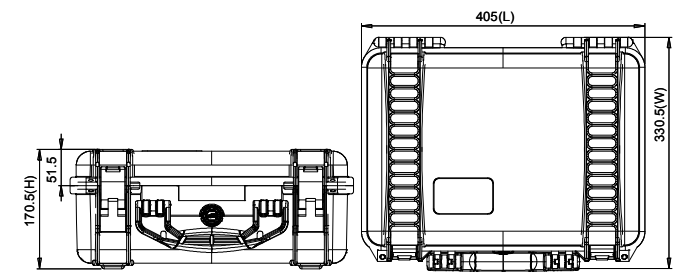
- 1 1 x Leica M Camera Body with Lens Attached
- 2 Electronic Viewfinder
- 3 4 x Lens
- 4 Charger
- 5 Spare Battery
- 6 Cables/Miscellaneous

### TECHNICAL FEATURES

**Dimension:**  
 internal dimension 380x266x152(mm) - 14.96x10.47x5.98(in)  
 external dimension 405x330x170(mm) - 15.94x12.99x6.69(in)

**Weight:**  
 empty: 2,05kg - 4.52lbs  
 with foam: 2,38kg - 5.25lbs

**Temperature rating:**  
 Minimum Maximum  
 -40°C -40°F +80°C +176°F



# HPRC2460 for Leica M LEM2460-01



FOR LEICA M



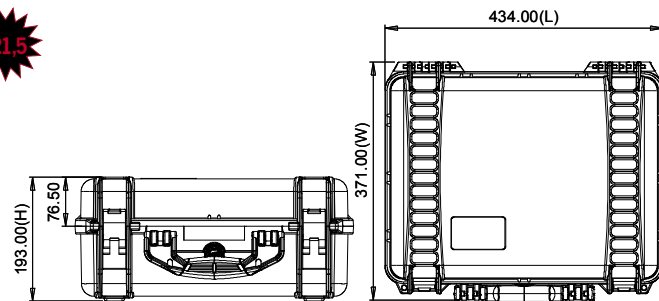
- 1 2 x Leica M Camera Body with Lens Attached
- 2 2 x Electronic Viewfinder
- 3 2 x Spare Batteries
- 4 4 x Lens
- 5 2 x Charger
- 6 Cables/Miscellaneous

## TECHNICAL FEATURES

**Dimension:**  
 internal dimension 409x306x175(mm) - 16.10x12.05x6.89(in)  
 external dimension 434x371x193(mm) - 17.09x14.61x7.60(in)

**Weight:**  
 empty: 2,60kg - 5.73lbs  
 with foam: 3,14kg - 6.92lbs

**Temperature rating:**  
 Minimum -40°C -40°F  
 Maximum +80°C +176°F



HPRC LEICA M

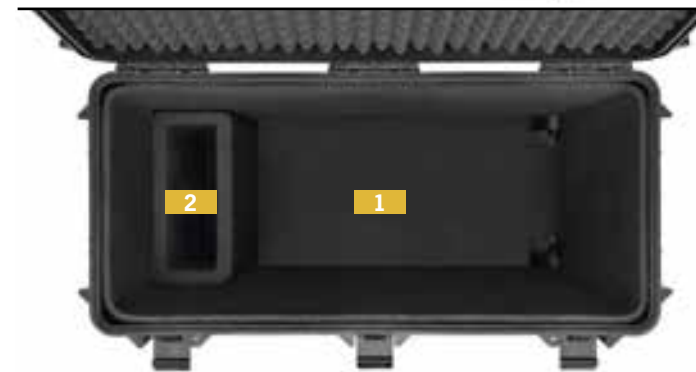


I ❤️  
BROMPTON

BROMPTON

SPECIAL CASES 2021

## HPRC4800W for Brompton BRO4800W-01



- 1 Brompton Bike
- 2 Accessories



### TECHNICAL FEATURES

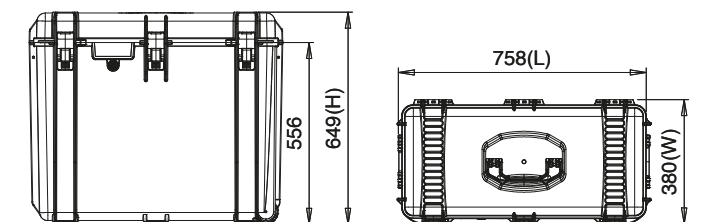
**Dimension:**  
 internal dimension  
 720x320x600(mm) - 28.34x12.60x23.62(in)  
 external dimension  
 776x380x649(mm) - 30.55x14.96x25.55(in)

**Weight:**  
 with foam: 11.60 kg – 25.57 lbs

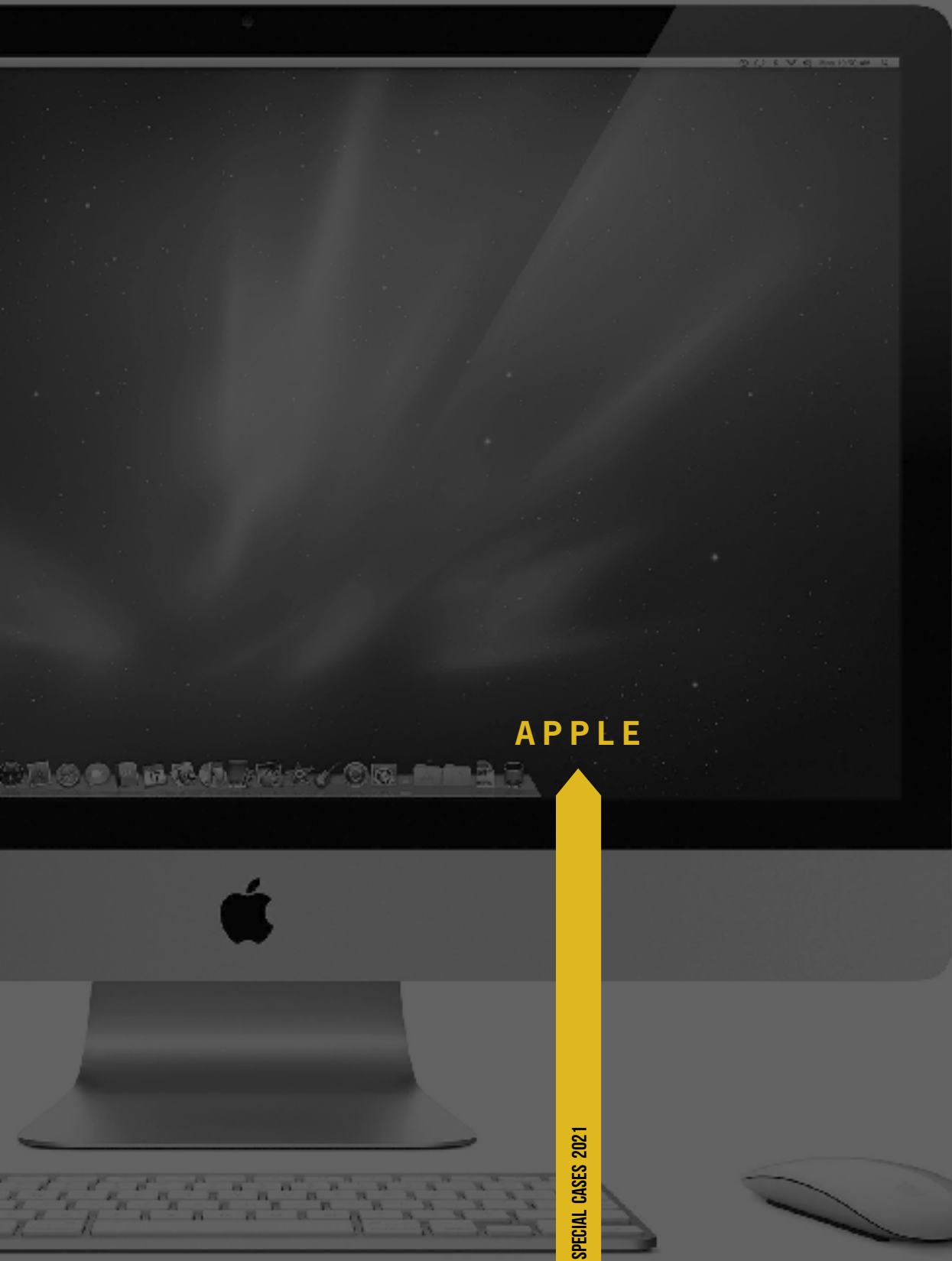
**Temperature rating:**  
 Minimum Maximum  
 -40°C -40°F +80°C +176°F



### TECHNICAL DRAWING



HPRC BROMPTON



# HPRC4800W for Apple IMac 27" MAC4800W-01



- 1 Apple IMac 27"
- 2 Cable
- 3 Keyboard + Mouse



HPRC APPLE IMAC 27"

## TECHNICAL FEATURES

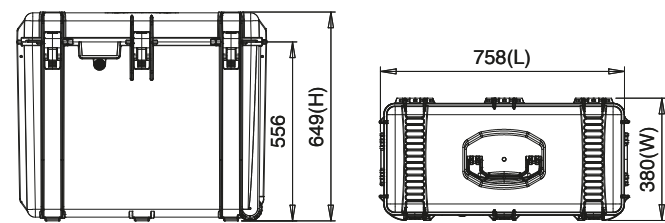
**Dimension:**  
 internal dimension  
 720x320x600(mm) - 28.34x12.60x23.62(in)  
 external dimension  
 776x380x649(mm) - 30.55x14.96x25.55(in)

**Weight:**  
 with foam: 11.60 kg – 25.57 lbs

**Temperature rating:**  
 Minimum Maximum  
 -40°C -40°F +80°C +176°F



## TECHNICAL DRAWING





# HPRC2350 for MacPro13" + accessories

## MPRO-2350-01



- 1 MacBook Pro 13"
- 2 Miscellaneous

# HPRC2400 for MacPro15" + accessories

## MPRO-2400-01



- 1 MacBook Pro 15"
- 2 Miscellaneous

### TECHNICAL FEATURES

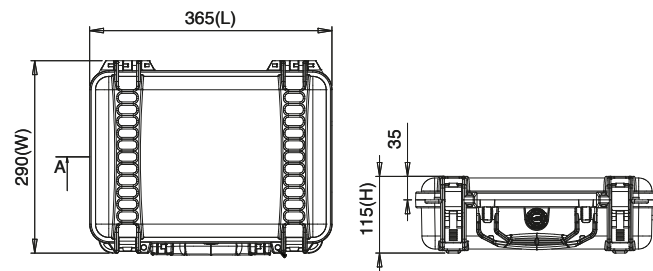
**Dimension:**  
 internal dimension  
 340x235x99(mm) - 13.38x9.25x3.90(in)  
 external dimension  
 365x290x115(mm) - 14.37x11.42x4.53(in)

**Weight:**  
 1.66kg - 3.65lbs

**Temperature rating:**  
 Minimum Maximum  
 -40°C -40°F +80°C +176°F



### TECHNICAL DRAWING



### TECHNICAL FEATURES

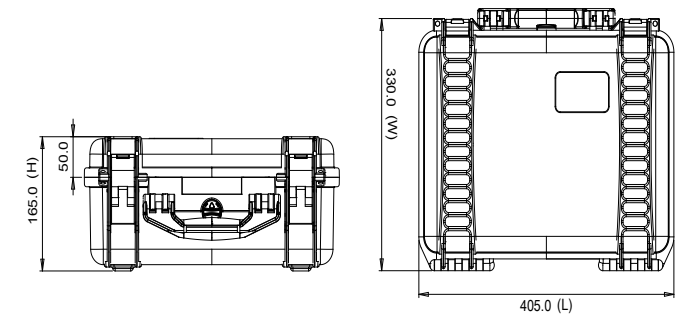
**Dimension:**  
 internal dimension  
 380x266x152(mm) - 14.96x10.47x5.98(in)  
 external dimension  
 405x330x170(mm) - 15.94x12.99x6.69(in)

**Weight:**  
 2,38kg - 5.25lbs

**Temperature rating:**  
 Minimum Maximum  
 -40°C -40°F +80°C +176°F



### TECHNICAL DRAWING





UNIVERSAL MICROPHONES

SPECIAL CASES 2021

## HPRC2200 for Universal Microphones MCF3-2200-01



**1** Universal Microphone



### TECHNICAL FEATURES

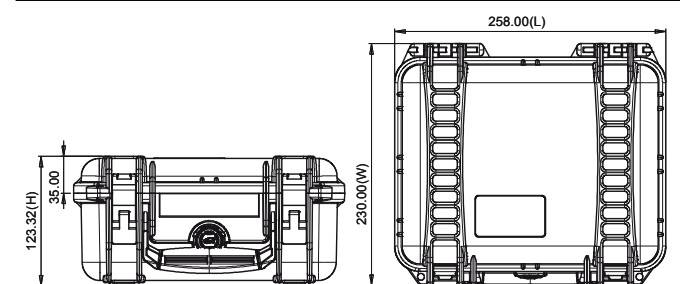
**Dimension:**  
 internal dimension  
 236x182x108(mm) - 9.29x7.17x4.25(in)  
 external dimension  
 258x230x123(mm) - 10.16x9.06x4.84(in)

**Weight:**  
 1,08kg - 2.38lbs

**Temperature rating:**  
 Minimum Maximum  
 -40°C -40°F +80°C +176°F



### TECHNICAL DRAWING



# HPRC2250 for Universal Microphones

## MCF6-2250-01



### TECHNICAL FEATURES

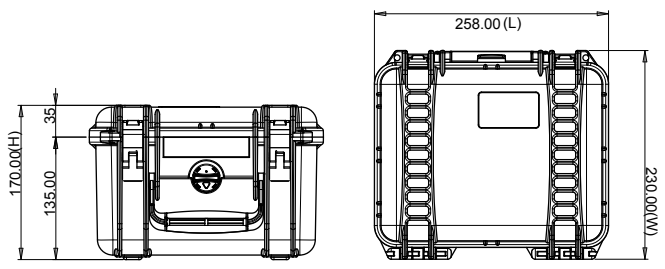
**Dimension:**  
 internal dimension  
 236x182x155(mm) - 9.29x7.17x6.10(in)  
 external dimension  
 258x230x170(mm) - 10.16x9.06x6.69(in)

**Weight:**  
 1,35kg - 2.97lbs

**Temperature rating:**  
 Minimum Maximum  
 -40°C -40°F +80°C +176°F



### TECHNICAL DRAWING





HPRC CASES  
**MADE IN ITALY**  
MANUFACTURED

 Find us  
on Facebook

 **YouTube** Plabertalia  
Channel



**Plaber s.r.l. - HPRC cases**

Via Div Tridentina, 10  
I-36061 Bassano del Grappa  
Vicenza - Italy

Tel +39 0424 809150  
Fax +39 0424 808548

USA office and warehouse:

**Plaber America Inc - HPRC cases**

110 Chestnut Ridge Rd. #314  
Montvale, NJ 07645

Tel +1 201 617 2010  
Fax +1 201 617 2001

[www.hprc.it](http://www.hprc.it) | [www.hprcusa.com](http://www.hprcusa.com)

[info@hprc.it](mailto:info@hprc.it)

HPRC® Brand owned by:

*plaber*  
ITALIA

SPECIAL CASES 2021